

LP-F205BOY00 Unloaded FTTH fiber optic terminal Outdoor ABS plastic box, Pole or Wall mountable for up to 24 fiber adaptors SC, ST, LC, FC, etc. (not included)

LPF205BOY00_SS_ENB01W

Features:

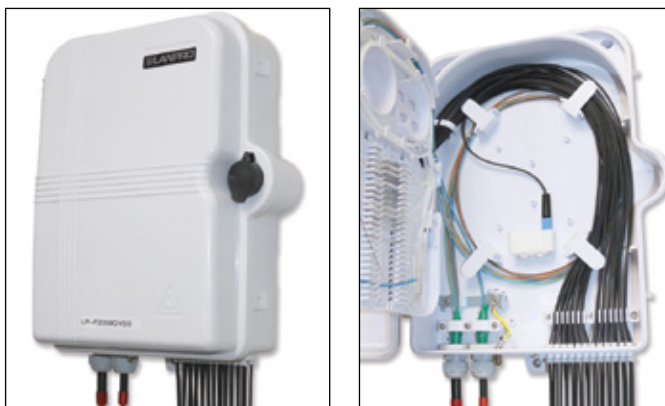
- For use in the end indoor/ outdoor termination of residential building and villas in FTTH applications.
- Wall or Pole Mountable.
- High Quality ABS plastic Oyster white box.
- Doesn't have a key, instead of that a Hex screw (Allen) is provided to locks the door safely to avoid unneeded opening.



**LP-F205BOY00
Unloaded FTTH fiber optic terminal Outdoor ABS plastic box, Pole or Wall mountable for up to 24 fiber adaptors SC, ST, LC, FC, etc. (not included)**

The **LP-F205BOY00** is an outdoor FTTH fiber optic terminal Outdoor plastic box used in the end termination of residential building and villas to fix and splice pigtails. It can be installed on the wall or onto a Pole. It is made of high quality ABS plastic. A gasket avoid the entrance of water, humidity, dust, etc.

Reasonable design for fiber arrangement, with a bend radius with more than 30mm.

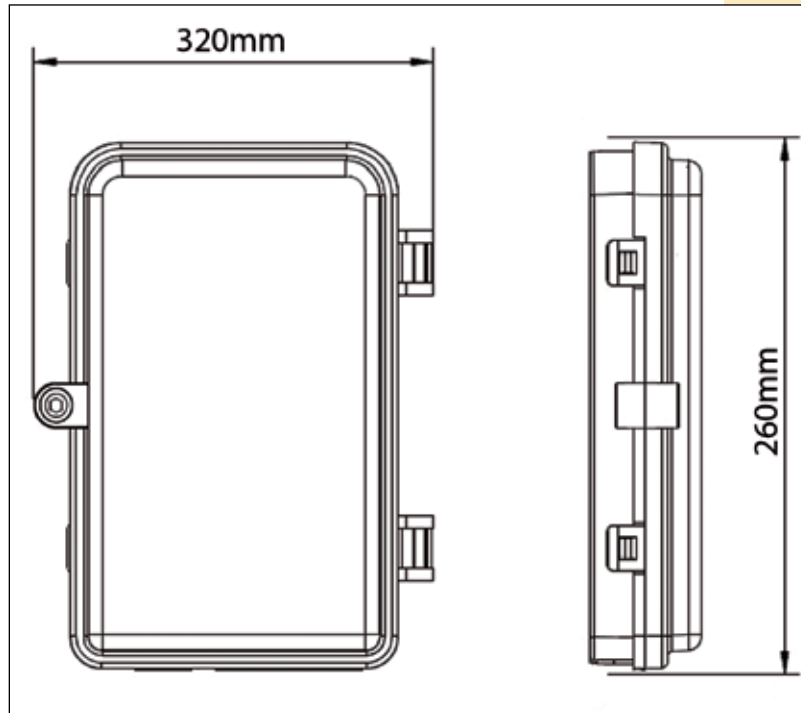
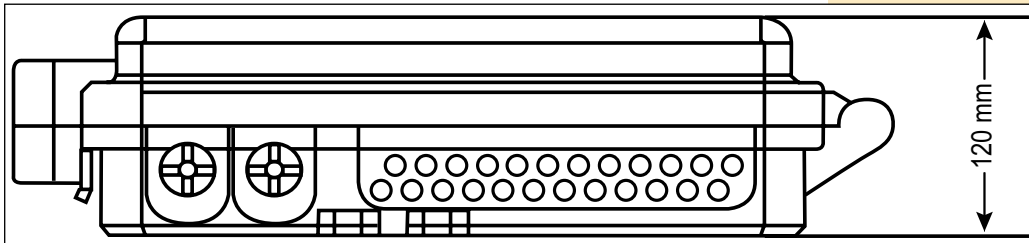


A Specifications

Operating temperature	-20°C + 80°C
Relative humidity	≤90% (+30%) without condensation
Atmospheric pressure	70Kpa -106Kpa
Storage Temperature	-20°C+80°C
IP standard	IP55

B Dimensional drawing

320(H)mm×260(W)mm×120(D)mm



C How to order

LP-F205BOY00

Unloaded FTTH fiber optic terminal Outdoor ABS plastic box, Pole or Wall mountable for up to 24 fiber adaptors SC, ST, LC, FC, etc. (not included)

LanPro is continuously improving its products and reserves the right to change specifications and availability without prior notice.