

LP-F194BBKXX 24 Port Rack Mounted Optical Distribution Frame (ODF) Factory Loaded.

LPF194BBKXX_SS_ENB01W

Features

- The chassis is made of hardened steel & insulation materials, thus having excellent mechanical and electrical performance, it is a solid and durable equipment.
- Number of Adapters output: 24 ports.
- Strength member core clamp and shell insulated and with grounding lead.
- Comes with factory loaded SC, FC, ST or LC adaptors.
- Excellent design.
- 24 cores maximum Capacity.
- Reliable fiber lead grounding and perfect fix up.
- Reliable pigtail enclosure for protection and organization.
- For extensive field applications.
- Convenient for operation and its maintenance.

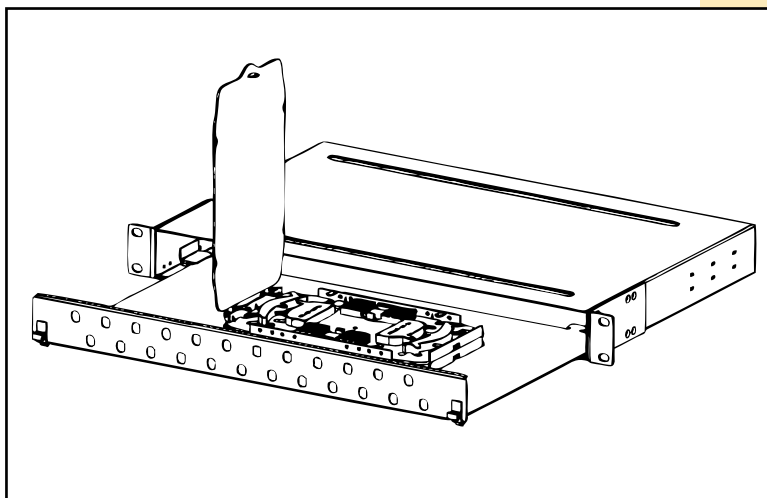


LP-F194BBKXX 24 Port Rack Mounted Optical Distribution Frame (ODF) Factory Loaded.

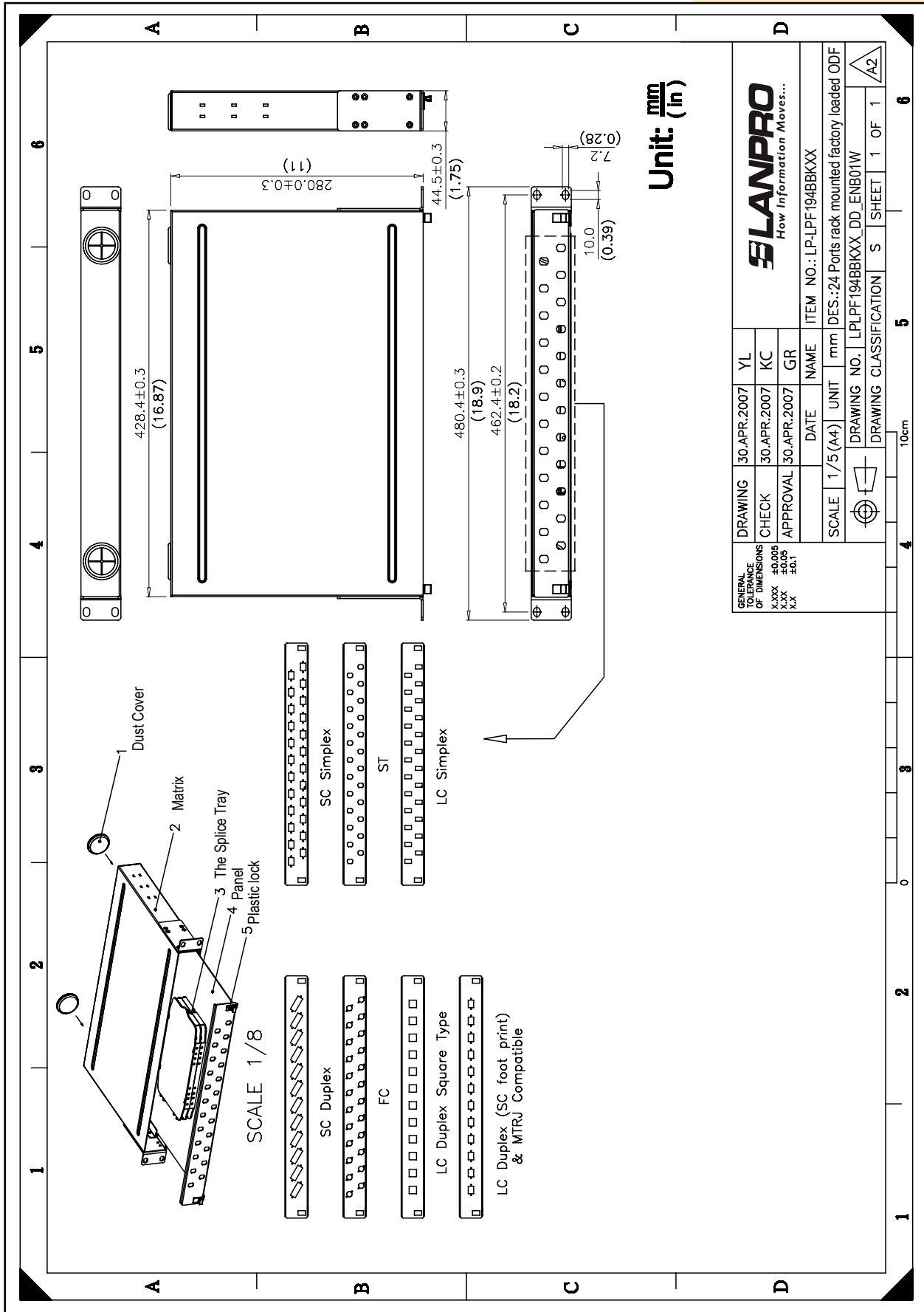
The 24 port Optical Distribution Frame (ODF) is designed as a reliable fiber optic organization and distribution product, it is of the sliding type, convenient for operations and maintenance. The 24 port ODF has wide operation temperature range and made for high density fiber optic installations.

A Specifications

- 24 Port factory installed as ordered.
- Dust covers: 2, PVC.
- Chassis (Matrix): 1.2 mm Thickness, SPCC.
- Splice tray: 2 sets, ABS+PC, UL 94V-0.
- Panel: 1.2mm thickness SPCC.
- Plastic Lock: 2 sets ABS.
- Dimensions: 1.75" x 19" x 11" (44.5mm x 480.4mm x 280mm)
- Weight: 3.3. Kg
- Finish: black painted
- Environment temperature: -40°C ~+80°C.
- Relative humidity: ≤85% (30°C).
- Atmospheric pressure: 70~106KPa.
- Insulation Resistance: $\geq 2 \times 10 \text{M}\Omega / 500\text{V}$ (DC).
- Fiber bending radius guaranteed: $\geq 40\text{mm}$.
- It can appropriately protect fiber connectors.



B Dimensional Drawings



C How to Order

LP-F194BBK16M1 24 Port Rack Mounted Optical Distribution Frame (ODF) MM Loaded with LC Duplex Type Adaptors Phosphor Bronze Sleeves Beige.

LP-F194BBK16S1 24 Port Rack Mounted Optical Distribution Frame (ODF) SM Loaded with LC Duplex Type Adaptors Zirconia Sleeves Blue.

LP-F194BBK08M1 24 Port Rack Mounted Optical Distribution Frame (ODF) MM Loaded with SC Duplex Footprint Type Adaptors Phosphor Bronze Sleeves Beige.

LP-F194BBK08S1 24 Port Rack Mounted Optical Distribution Frame (ODF) SM Loaded with SC Duplex Foot Print Type Adaptors Zirconia Sleeves Blue.