

1 2 3 4 5 6

A

A

B

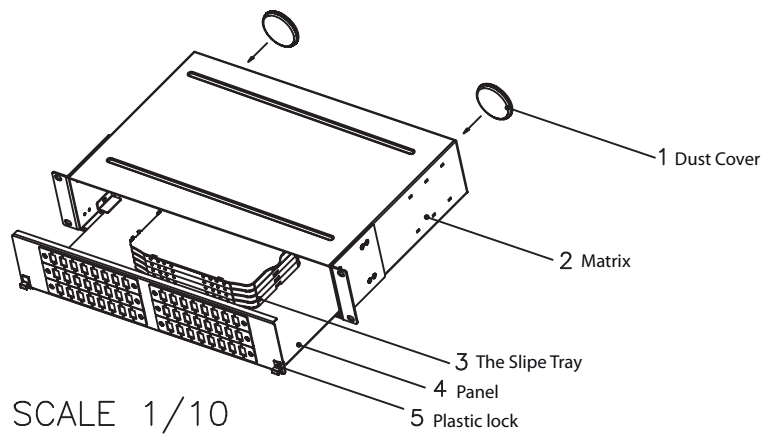
B

C

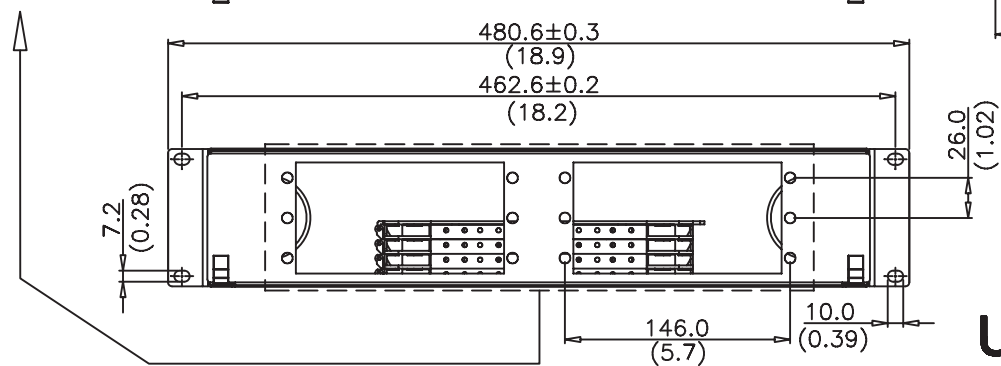
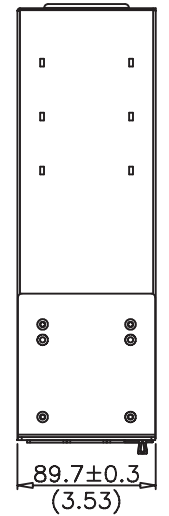
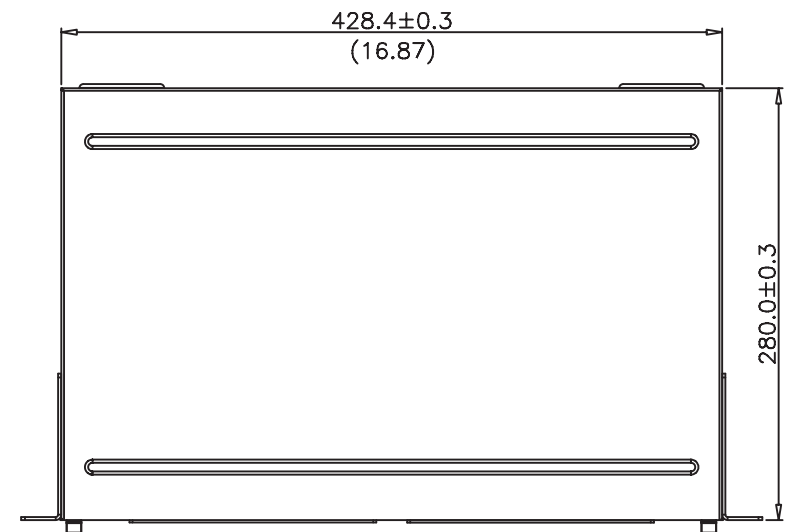
C

D

D



SCALE 1/10



Unit: **mm**
(in)

GENERAL TOLERANCE OF DIMENSIONS
x.xxx ±0.005
x.xx ±0.05
x.x ±0.1

DRAWING	30.APR.2007	YL
CHECK	30.APR.2007	KC
APPROVAL	30.APR.2007	GR
	DATE	NAME

LANPRO
How Information Moves...

SCALE	1/5 (A4)	UNIT	mm	ITEM NO.:	LP-F184DBKYY
DRAWING NO.		LPF184DBKYY_DD_ENB01W		DES.: 48 PORT UNLOADED RACK MOUNTED ODF	
DRAWING CLASSIFICATION		S	SHEET	1 OF 1	A2

1 2 3 4 5 6 10cm