

LP-DC6PUSXX**Decora Series, Modular Keystone Jack CAT6, 8P8C RJ45, Unshielded, 90° IDC.**

LPDC6PUSXX_SS_ENB01W

Features

- Fit for CAT 6 general cable distribution system, backward compatible with CAT 5e systems.
- Compliant with ISO/IEC 11801, ANSI/TIA 568-C.2.
- T568-A and T568-B punching sequences are both compatible.
- Compliant with IEC 60603-7-4.
- Our standard style allows compatibility with many other brands and systems.
- Unshielded, rugged.
- Connection type FCC connector for RJ45 patch cords and IDC for 4-pair CAT 6 cables.
- Punch angle is 90°.
- High performance copper alloy contacts and 50 micro-inches of gold plating.
- 750 mating cycle minimum for RJ45.
- Competitively priced.
- Material: ABS UL94V-0.
- Positive latch system.
- UTP capable.
- Compatible with 110 punch-down tools.
- Suitable for 23-26 AWG solid cable.
- Eight vivid colors to choose from.



LP-DC6PUSXX
Decora Series, Modular Keystone Jack CAT6,
8P8C RJ45, Unshielded, 90° IDC.

The **LP-DC6PUSXX, Decora series**, Modular Keystone Jack CAT 6, 8P8C RJ45, unshielded with 90° IDC, allows for universal termination, either T568-A or T568-B, and are punch-down design of 90°, thus offering easiness and flexibility to the installer.

LanPro has designed them specifically for high speed and bandwidth in excess of 250 MHz.

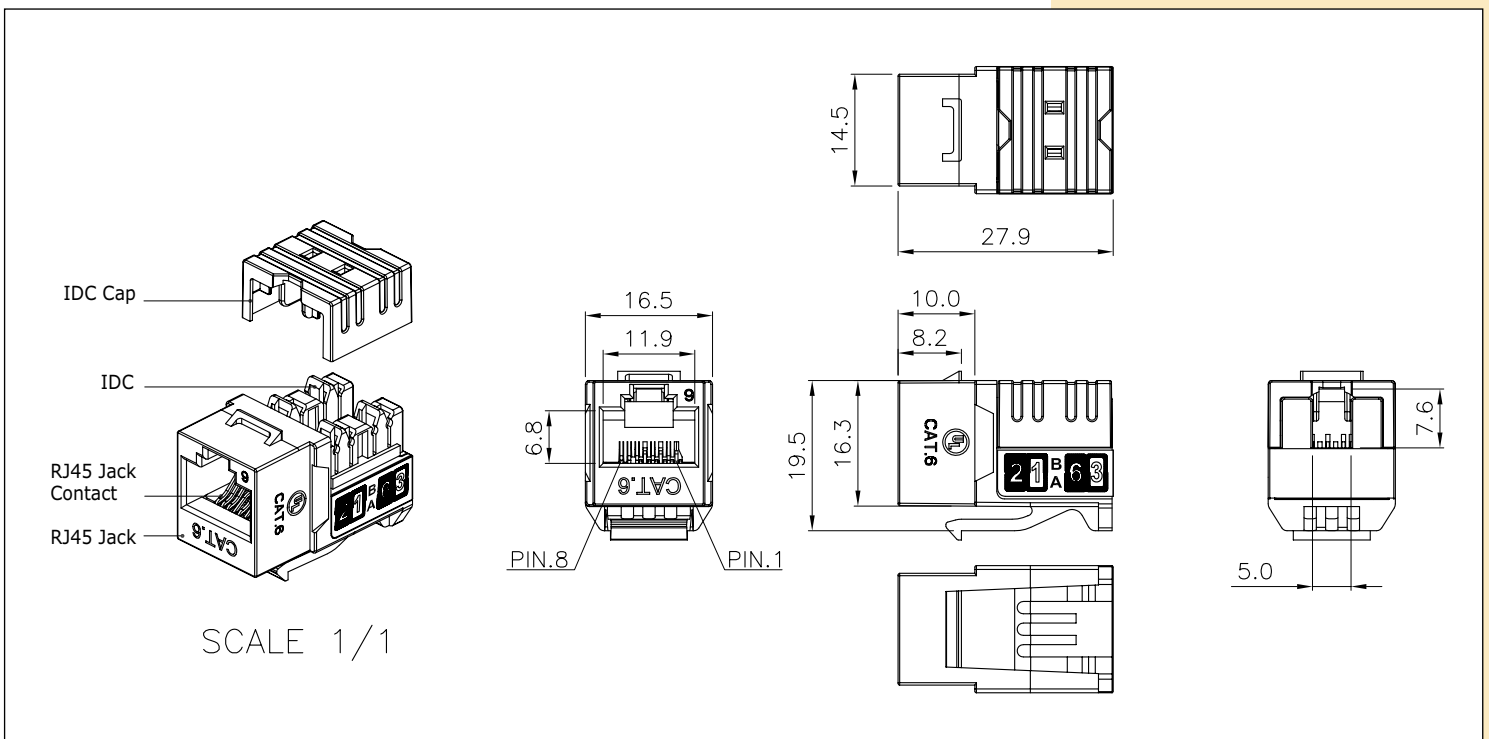
Nota: All our Jacks are also suitable for CAT 5e and CAT 3 cabling system.



A Specifications

Specifications	RJ45 Jack	Housing	ABS+PC UL 94V-0, with optional color	
		Contact Bracket	PBT+Glass Fiber, UL 94V-0	
	RJ45 Contact	Material	Phosphor Bronze with Nickel Plating	
		Finish	50 Micro-inch Gold Plating on plug contact area	
	IDC	Housing	PC UL 94V-2 with white color	
		Terminal	Phosphor Bronze with Tin Plating	
IDC Cap	ABS+PC UL 94V-0 with black color			
PCB	FR4, UL 94V-0			
Performance	Compliance of ISO/IEC 11801. ANSI/TIA/EIA 568-C.2 CAT 6 for both T568-A and T568-B punching sequences. T568A & T568B wiring			
	Insertion Force	20N max. (IEC 60603-7-4)		
	Retention Strength	7.7 Kg between Jack and Plug		
	Operating Temperature	-10°C to 60°C. (ISO/IEC 11801, ANSI/TIA 568 C.2)		
	Life (Mating Cycles)	Jack	750 Cycles min. (ISO/IEC 11801, IEC 60603-7-5)	
		IDC	Suitable for 23-26 AWG stranded and solid wire, compatible with 110 punch down tool	
The CAT 6 transmission performance is in compliance with the ANSI/TIA 568C.2 standard				
Connection	FCC Connector for RJ45 patch cord and IDC for 4-pair CAT 6 cables.			
Compatibility	Fit for CAT 6 general cable distribution system. Backward compatible with CAT 5e and CAT 5 systems.			
Punch tool	110 punch down tool			
Dimensions	Width: 19.5 mm			
	Height: 14.5 mm.			
	Depth: 27.9 mm.			
Note:	The micro-inch (μ in) is a common imperial unit of distance equal to one millionth of an inch, or 25.4 nanometers (nm), or 1μ in = 0.0254 μ m.			

B Dimensional Drawings



C How to order

LP-DC6PUSBL	Decora Series, Modular Keystone Jack CAT6, 8P8C RJ45, Unshielded, 90° IDC, Blue color.
LP-DC6PUSWH	Decora Series, Modular Keystone Jack CAT6, 8P8C RJ45, Unshielded, 90° IDC, White color.
LP-DC6PUSGN	Decora Series, Modular Keystone Jack CAT6, 8P8C RJ45, Unshielded, 90° IDC, Green color.
LP-DC6PUSYL	Decora Series, Modular Keystone Jack CAT6, 8P8C RJ45, Unshielded, 90° IDC, Yellow color.
LP-DC6PUSRD	Decora Series, Modular Keystone Jack CAT6, 8P8C RJ45, Unshielded, 90° IDC, Red color.
LP-DC6PUSBK	Decora Series, Modular Keystone Jack CAT6, 8P8C RJ45, Unshielded, 90° IDC, Black color.
LP-DC6PUSGR	Decora Series, Modular Keystone Jack CAT6, 8P8C RJ45, Unshielded, 90° IDC, Gray color.
LP-DC6PUSOR	Decora Series, Modular Keystone Jack CAT6, 8P8C RJ45, Unshielded, 90° IDC, Orange color.
LP-DC6PUSIV	Decora Series, Modular Keystone Jack CAT6, 8P8C RJ45, Unshielded, 90° IDC, Ivory color.

LanPro is continuously improving its products and reserves the right to change specifications and availability without prior notice.