

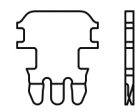
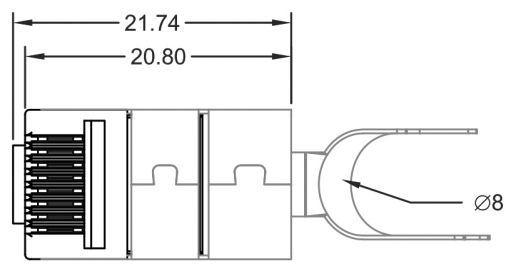
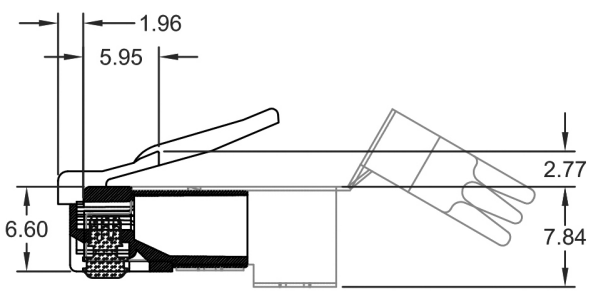
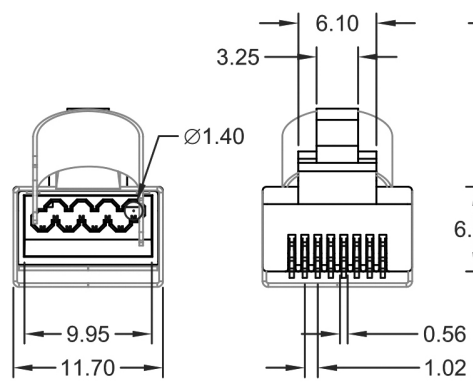
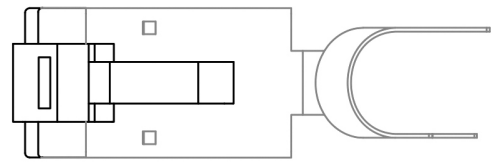
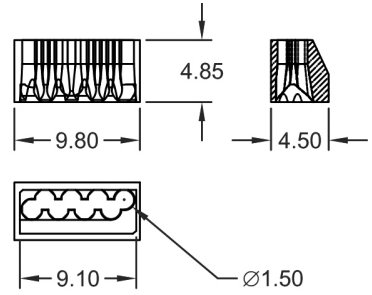
1 2 3 4 5 6

A

B

C

D



Three prongs pin

GENERAL TOLERANCE OF DIMENSIONS X.XXX ±0.005 X.XX ±0.05 X.X ±0.1	DATE	NAME	 Connect-and-Forget	
	DRAWING	NOV 2017		YL
	CHECK	NOV 2017		YL
	APPROVAL	NOV 2017	KM	ITEM NO.: LP-BRJ458P8CCAFS22
	SCALE	1/5 (A4)	UNIT	mm
DRAWING NO.		LPBRJ458P8CCAFS22_DD_ENB01W		
DRAWING CLASSIFICATION		S	SHEET 1 OF 1	

1 2 3 4 5 6 10cm