

## LP-8CA Performax® Series, Fully Shielded Modular Cat 6A Jacks.

LP8CA\_SS\_ENB01W

### Features

- Compliant with ANSI/TIA 568 C.2 IEC 60603-7-51.
- UL listed.
- ETL Intertek tested.
- Our standard style allows compatibility with many other brands and systems.
- Shielded, rugged, full metal construction.
- High performance Copper alloy contacts & 50 micro-inches of gold plating.
- 750 mating cycles minimum.
- Competitively priced.
- Material: ABS UL94V-0.
- Positive latch system.
- UTP/FTP capable.
- Compatible with both Kröne and 110 punch down tools.
- Suitable for 22-26 AWG solid and stranded cable.



**PERFORMAX**

### LP-8CA Performax® Series, Fully Shielded Modular Cat 6A Jacks.

The LanPro CAT6A Performax® system is comprised of CAT6A Performax® data cable, CAT6A Performax® Patch Cords, CAT6A PERFORMAX® Patch Panels and CAT6A Performax® KEYSTONE® Modular Jacks.

LanPro has designed them specifically for high speed and bandwidth in excess of 500Mhz, and when specified with full shielding, they deliver maximum performance.

Our modular Cat6A Performax® Jacks are designed to match our CAT6A Performax® compatible products in a perfect way. All Cat6A devices are very adaptable to customer changing requirements.

Our modular Cat6A Performax® Jacks allow for universal termination, either T568A or T568B and are Punch-down design, thus offering easiness and flexibility to the installer.

Notice: All our Jacks are also suitable for Cat3 system cabling and the RJ-11 is completely compatible with them, however, if you need a specific Cat3/ Telephony jack, please look at our Cat3 series of products.

## A Specifications

### ● Material:

- 1.-RJ45 Jack:
  - 1.1.-Housing: Zinc Die-Casting with Nickel plated.
  - 1.2.-Contact Bracket: PC+ UL94V-V2, transparent color.
- 2.-RJ45 Contact:
  - 2.1.-Material : Phosphor Bronze with Nickel Plated.
  - 2.2.-Finish: 50 micro-inch ( $\mu$  in) Gold Plated on Plug contact area.
- 3.-Cap A&B : Zinc Die-Casting with Nickel Plating.
- 4: IDC:
  - 4.1.-Housing: PC+Glass Fiber, Grey color(Ral7035), UL 94V-2.
  - 4.2.-Terminal: Phosphor Bronze with tin plating.
- 5.-IDC Cap: PC+Glass Fiber, White color, UL 94-HB.
- 6.-Clip: Stainless Steel.
- 7.-Grounding Contact: Zinc Die-Casting with Nickel Plating.
- 8.-PCB: FR4, UL 90V-0.

### ● Performance:

- 1.-T568A &T568B wiring.
- 2.-Insertion force: 30 N max. (IEC 60603-7-5).
- 3.-Retention strength: 7.7 Kg between jack and plug.
- 4.-Operating Temperature: -10°C to 60°C (ISO/IEC 11801, ANSI/TIA/EIA568 B.2).
- 5.-Life(Mating Cycles):
  - 5.1.-Jack: 750 cycles min.(ISO/IEC 11801, IEC 60603-7-51)
  - 5.2.-IDC: Suitable for 22-26 AWG stranded and solid wire.  
Compatible with both 110 & Krone punch-down tool.
- 6.-The 10G Channel transmission performance is in compliance with the ANSI/TIA/EIA 568C.2 standard.
- 7.-Fully Shielded.

### ● Dimensions:

- 1.-Width: 16.0+-0.1 mm.
- 2.-Height: 20.1+-0.2 mm.
- 3.-Depth: 37.8 +-0.2mm.

**Note:** The micro-inch ( $\mu$  in) is a common imperial unit of distance equal to one millionth of an inch, or 25.4 nanometers (nm) , or 1  $\mu$  in = 0.0254  $\mu$ m.

**B Different Views**



Figure 1



Figure 2

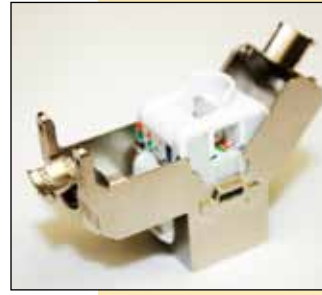
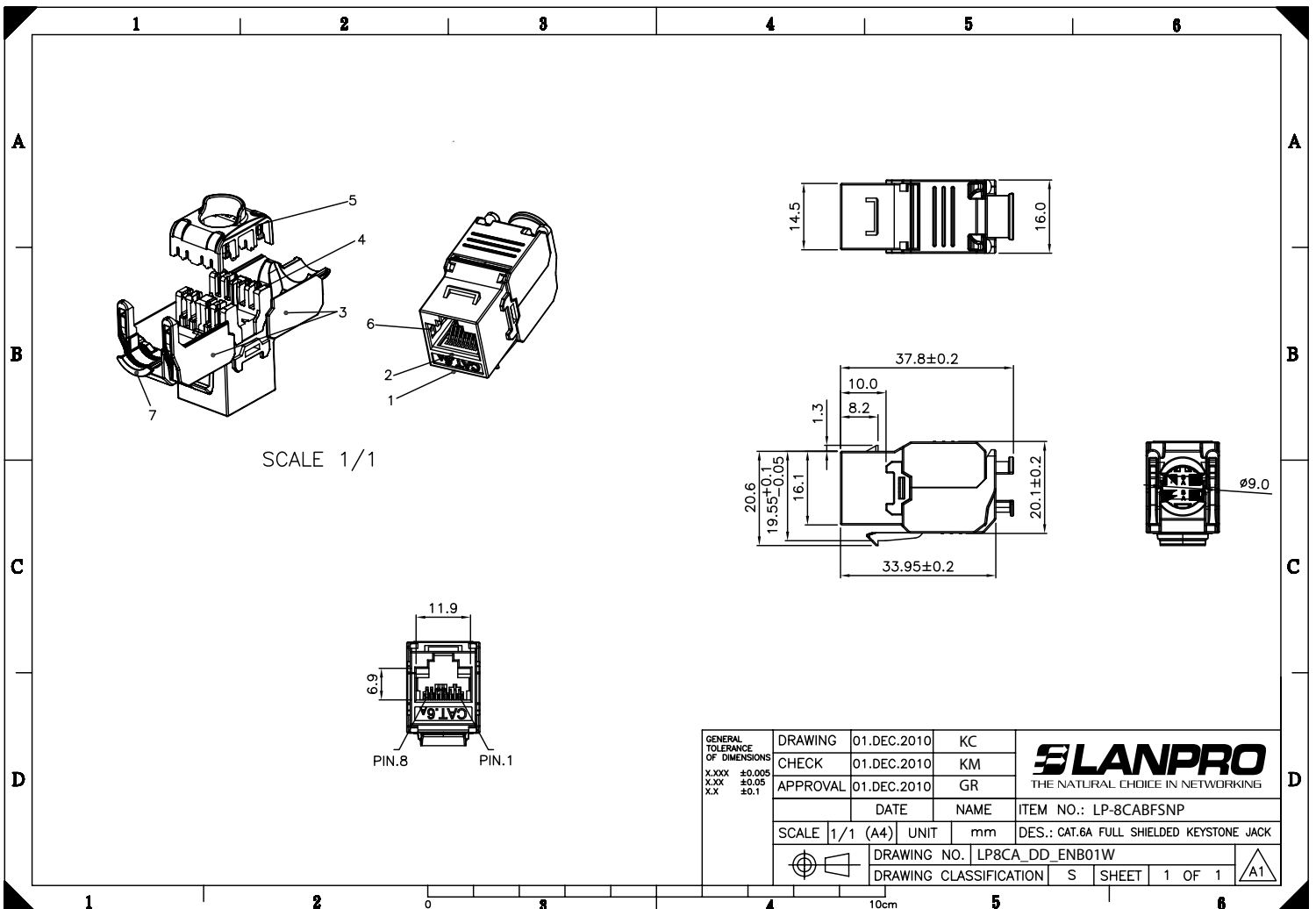


Figure 3

**C Dimensional Drawings**



**D How to Order**

**LP-8CAPFSNP Performax® Modular Cat 6A Punch Down Style, Fully Shielded, Nickel Plating Color**  
**LP-8CATFSNP Performax® Modular Jack Cat 6A Toolless Style, Fully Shielded, Nickel Plating Color**