

1 2 3 4 5 6

A

A

B

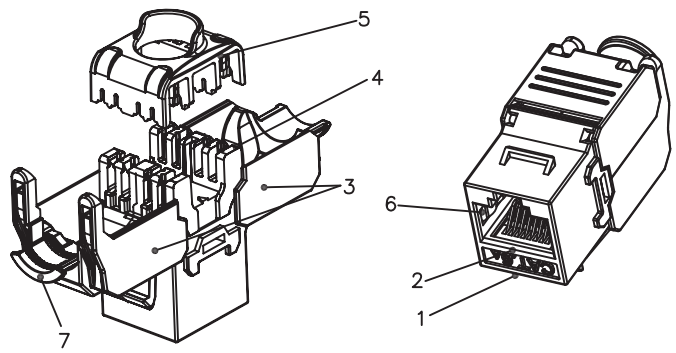
B

C

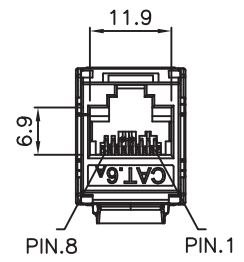
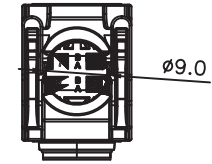
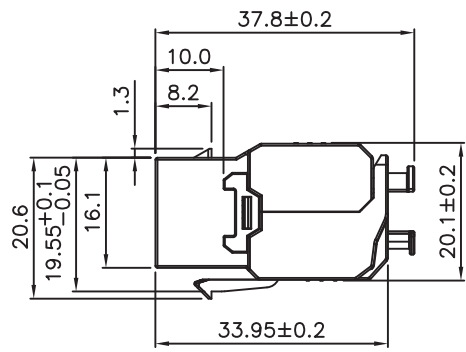
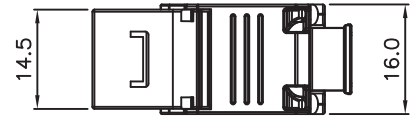
C

D

D



SCALE 1/1



GENERAL TOLERANCE OF DIMENSIONS  
 X.XXX ±0.005  
 X.XX ±0.05  
 X.X ±0.1

DRAWING	01.DEC.2010	KC
CHECK	01.DEC.2010	KM
APPROVAL	01.DEC.2010	GR



DATE	NAME	ITEM NO.:	LP-8CABFSNP
SCALE	1/1 (A4)	UNIT	mm
DRAWING NO.		LP8CA_DD_ENB01W	
DRAWING CLASSIFICATION	S	SHEET	1 OF 1



1 2 3 4 5 6

10cm