

**LP-8CAPUS Performax® with 180° IDC Unshielded Modular CAT 6A Jacks, iMC® compatible.**

LP8CAPUS\_SS\_ENB01W

### Features

- Compliant with ANSI/TIA 568 C.2 IEC 60603-7-51.
- UL listed.
- ETL Intertek tested.
- Our standard style allows compatibility with many other brands and systems.
- High performance copper alloy contacts & 50 micro-inches of gold plating.
- 750 mating cycles minimum.
- Competitively priced.
- Material: ABS UL94V-0.
- Positive latch system.
- UTP/FTP capable.
- Compatible 110 Punch-Down tools.
- Suitable for 23-26 AWB solid and stranded cable.
- Seven vivid colors to choose from.
- iMC® system compatible.
- "Punch-down" style.



**iMC®**  
COMPATIBLE

**PERFORMAX**

### **LP-8CAPUS Performax® with 180° IDC Unshielded Modular CAT 6A Jacks, iMC® compatible.**

The LanPro CAT 6A Performax® system is comprised of CAT 6A Performax® data cable, CAT 6A Performax® patch cords, CAT 6A PERFORMAX® patch panels and CAT 6A Performax® KEYSTONE® modular jacks.

LanPro has designed them specifically for high speed and bandwidth in excess of 500 MHz, and when specified with full shielding, they deliver maximum performance.

Our modular CAT 6A Performax® jacks are designed to match our CAT 6A Performax® compatible products in a perfect way. All CAT 6A devices are very adaptable to customer changing requirements. They are also fully compatible with our modular iMC® system of modular compatibility.

Our modular CAT 6A Performax® Jacks allow for universal termination, either T568A or T568B and are punch-down design, thus offering easiness and flexibility to the installer.

Notice: All our jacks are also suitable for CAT 3 system cabling and the RJ-11 is completely compatible with them, however, if you need a specific CAT 3/Telephony jack, please look at our CAT 3 series of products.

## A Specifications

- 1.-Keystone jack, CAT 6A Class E, UTP Type, 180° punching direction, for connecting application of communications ports in working area.
- 2.- Compact and practical design.
- 3.- Punch directions are a quick guide for the punching and connection operation.
- 4.-Fastener hats ensure proper fixation of IDC clips.
- 5.-Compliance of ISO/IEC 11801; 2002 Class & ANSI/TIA/EIA 568B.2-1 CAT 6A for both T568A and T568B punching sequences.
- 6.-Connection Type: FCC Connector for RJ45 patch cord and IDC for 4 pair CAT 6A cables.
- 7.-Fit for CAT 6 general cable distribution system. Backward compatible with CAT 5e and CAT 5 systems.
- 8.-Plastic material: PC UL94V-0
- 9.-Connector pin material: Phosphor bronze with golden cladding. 50 microinches minimum
- 10.-RJ45 : 750 insertion cycles minimum
- 11.-IDC Materials: Tinned phosphor bronze pins
- 12.-For punching AWG 22, 23 and 24 cables
- 13.-IDC: 500 insertion cycles minimum
- 14.-Punch Tool: 110
- 15.- Compatible with our iMC® modular compatibility system.

### ● Dimensions:

- 1.-Width: 16.0+-0.1 mm.
- 2.-Height: 20.1+-0.2 mm.
- 3.-Depth: 37.8+-0.2 mm.

**Note:** The micro-inch ( $\mu$  in) is a common imperial unit of distance equal to one millionth of an inch, or 25.4 nanometers (nm), or  $1 \mu$  in = 0.0254  $\mu$ m.

## B Different Views



Figure 1

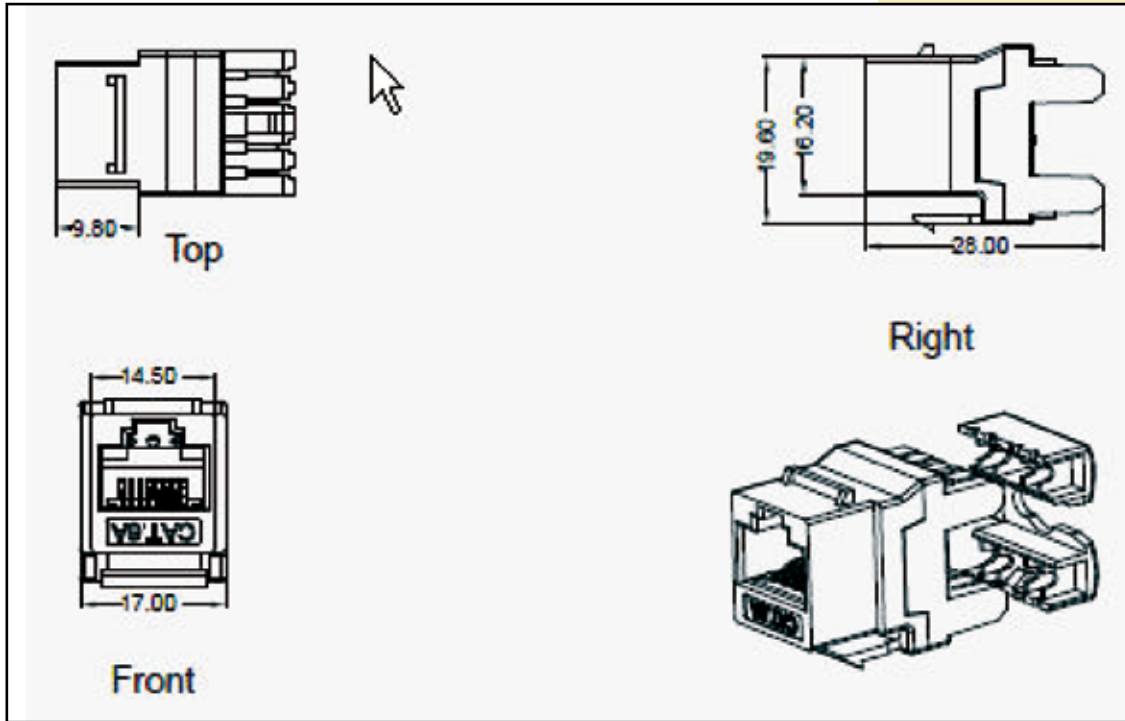


Figure 2



Figure 3

**C** Dimensional Diagram



**D** How to Order

**LP-8CAPUSCC Performax® Modular CAT 6A RJ45 Jack Unshielded, Color.**

CC:	Color
WH:	White
GN:	Green
YL:	Yellow
BL:	Blue
RD:	Red
BK:	Black
GR:	Gray

**Example:**

**LP-8CAPUSRD Performax® modular jack CAT 6A, unshielded, red color 8000 series, with 180° IDC.**