

LP-4CEFSXX CAT 5e fully shielded F/UTP Patch Cords

LP4CEFSXX_SS_ENB01W

Features

- Fully shielded snagless F/UTP Patch Cords
- UL, CSA approved
- ETL verified
- CAT 5e patch cords are backward compatible with CAT 5 and lower category systems.
- Custom lengths available upon request.
- Made of highly flexible, stranded data cable
- Factory molded strain-relief boots for a long life and great appearance. Manipulation and pulling of these patch cords is no longer a matter of concern for the installer.
- Fully, 100% factory tested.
- 568A/B Compatible, B, preferred inventory
- Eight vivid colors to choose from.
- 0.5m, 1m, 2m, 3m, 4m, 6m and 20m lengths currently available. (Aprox: 1.5, 3, 6, 10, 13, 20 and 65 feet).
- Custom-lengths available upon request.



LP-4CEFSXX CAT 5e fully shielded F/UTP Patch Cords

LanPro's new design offers a unique solution to high-density patching installations. Ideal for high density patch panels, blade servers, notebooks and other products with a dense setup of RJ45 outlets.

The LanPro **LP-4CEFSXX** fully shielded CAT 5e patch cords are made with a very flexible F/UTP aluminum foil shielded cable, which translates into soft bends and easy handling.

The use of hot-molded snag-less boots, including strain relief on the fully shielded cable and plug avoiding the damage to the locks when handling the cables in dense installations.

Eight Bright solid colors that don't cause confusion, UV additives diminish color fading along the years.

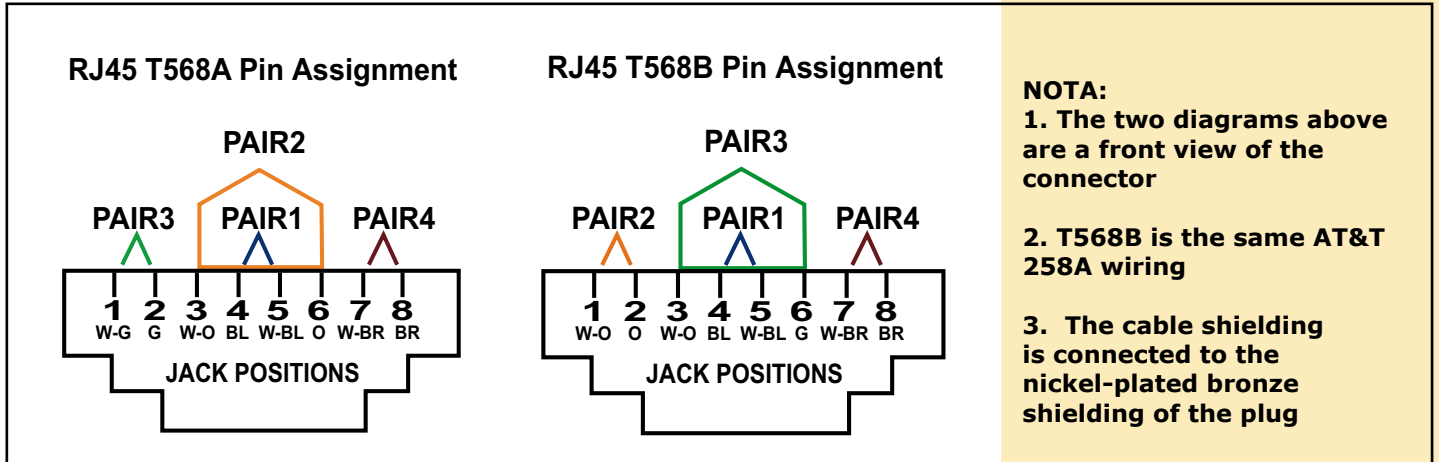
Our factory, hot-molded strain-relief provides very high mechanical strength assuring long life and many years of use and abuse.

All LanPro patch cords are 100% factory tested using top-of-the line test equipment. Don't compromise the performance of your installation with home-made patch cords or cheap imitations. LanPro patch cords are not only very good, but also very affordable. Our units are guaranteed to perform in compliance with ISO/IEC 11801 standards, EIA/TIA 568A/B, EN50173 and UL, CSA, ETL and 3P are verified.

A

TECH TIP: We strongly recommend our hot-molded patch cords (with hot molded snag-less lock protector and cable strain reliever) which fit perfectly even in today’s most cramped hubs and telecomm equipment.

Separate Boots for protecting the locks sometimes protrude around enough that it becomes a very difficult task when you want to hook all the patch-cords to the equipment.



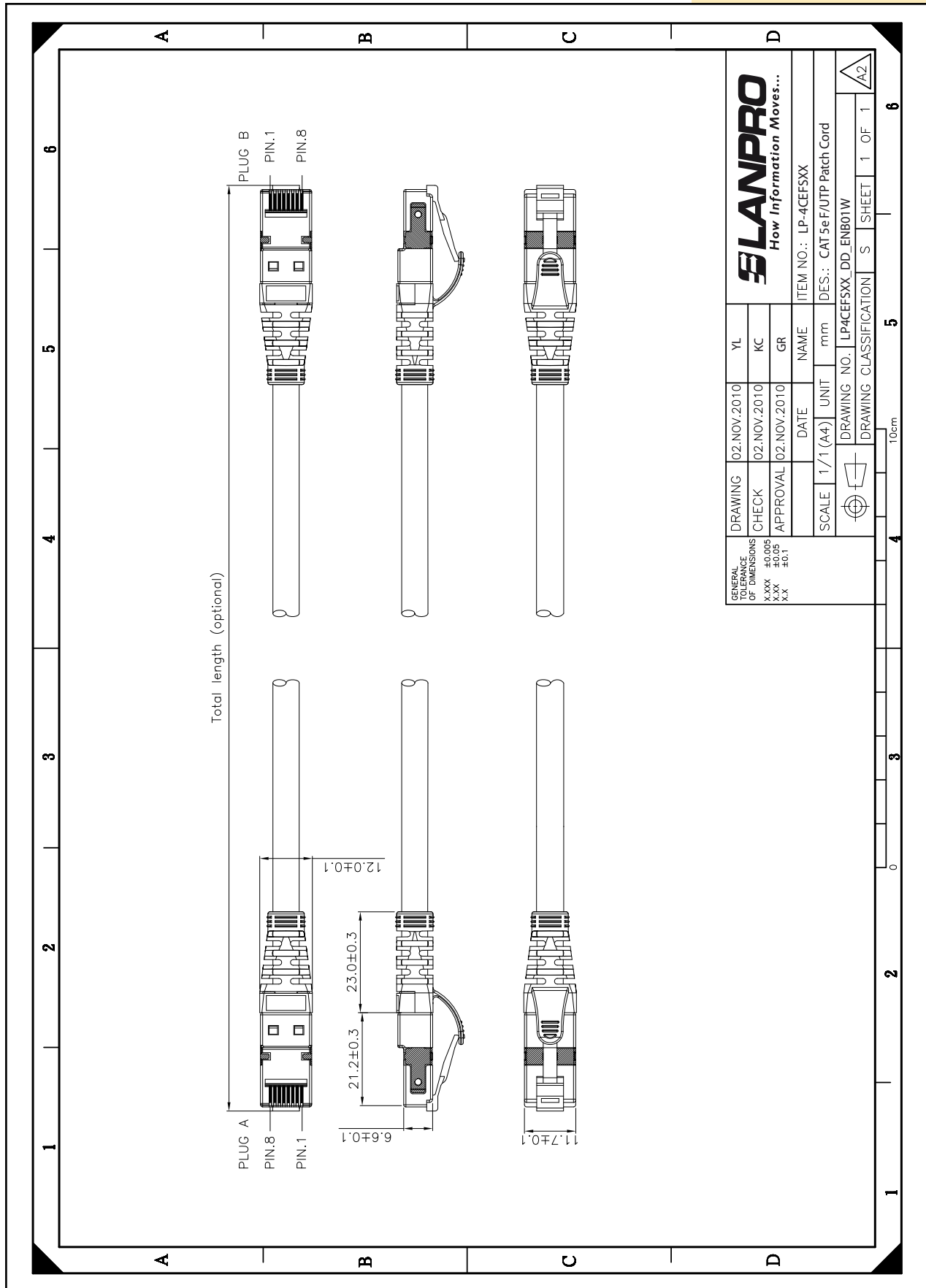
Wiring Informations & Coding of T568A & B - Color Coding Information

IDC TERMINAL		T568S PAIR / WIRE COLOR		T568S PAIR / WIRE COLOR	
Pin 5	1	WHITE/BLUE	1	WHITE/BLUE	
Pin 4		BLUE		BLUE	
Pin 1	3	WHITE/GREEN	2	WHITE/ORANGE	
Pin 2		GREEN		ORANGE	
Pin 3	2	WHITE/ORANGE	3	WHITE/GREEN	
Pin 6		ORANGE		GREEN	
Pin 7	4	WHITE/BROWN	4	WHITE/BROWN	
Pin 8		BROWN		BROWN	

B Specifications

ITEM	DESCRIPTION
Plug RJ-45	
P/N	LP-RJ458P8CCEFS
Housing	Polycarbonate, UL 94V-2, Transparent Color
Shielding	Nickel plated bronze
Contact Material	Phosphor bronze with 50 micro inches of Nickel plating
Contact finish	Min. 50 micro inch Gold plating
Hot Molding	
Type	Narrow PVC
Cable	
Type	F/UTP completamente blindado de pares entorchados
Number of pairs	4 pairs stranded
Wire gauge	AWG#26
Type of wire	Stranded copper
Wire Isolation	PE (Polietileno)
Shielding	Aluminum foil
Jacket	PVC CM
Colors available	WH: White, GN: Green, YL: Yellow, BL: Blue, RD: Red, BK: Black, GR: Gray, OR: Orange
Wiring	T568A or T568B (preferred inventory)
Length	
Available lengths	05=0.5m, 1=1m, 2=2m, 3=3m, 4=4m, 6=6m, 20=20m
Temperature	
Test	75°C
Fire Rating	
UL rating	CM
Standards	
All separate components	UL and CSA, ETL
ANSI/TIA	568C.2

C Dimensional Drawing:



D How to Order:

	4CE	CC: Color	L: Length
LP-4CEFSCL	4CE= 4 pairs CAT 5e		05=0.5 m 1= 1m 2= 2m 3= 3m 4= 4m 6= 6m 20= 20m
	XX: Plug type	WH: White GN: Green YL: Yellow BL: Blue	RD: Red BK: Black GR: Gray OR: Orange
	US: Unshielded FS: Fully Shielded		
	P.Ej.: ■ LP-4CEFSWH05 High Density Fully Shielded Patch Cord 4 pairs CAT 5e White 0.5 m		
Note: All models are a snagless hot molded design. Wires are stranded copper AWG #26. T568 B type preferred inventory.			