

1 2 3 4 5 6

A

B

C

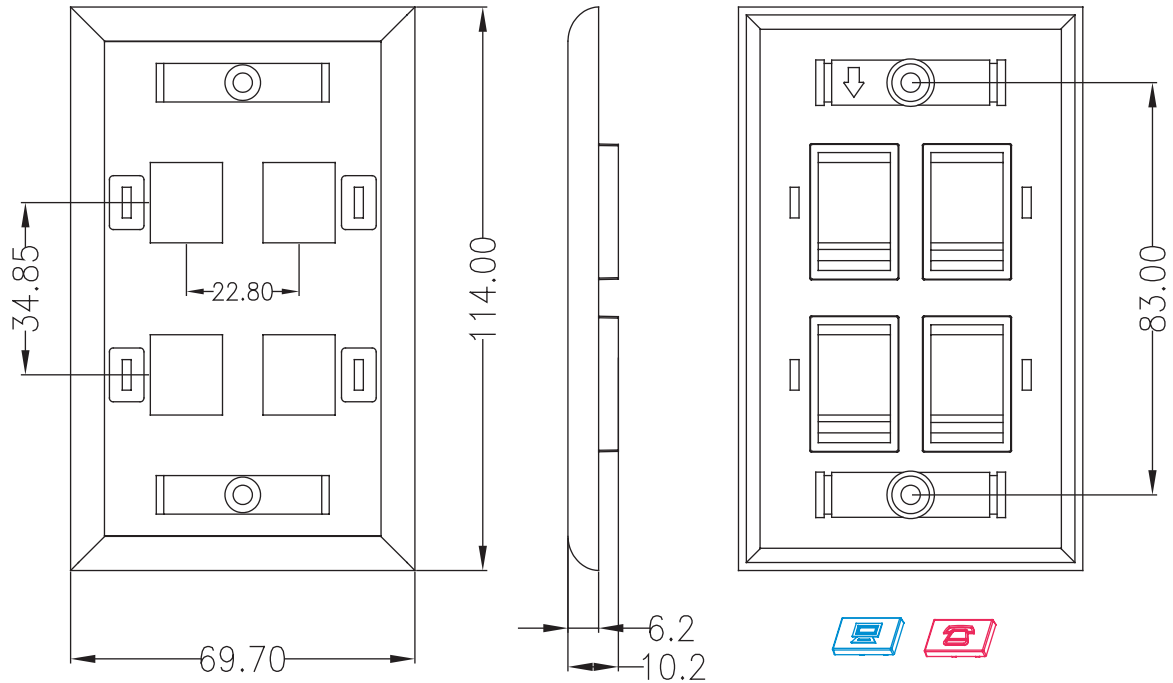
D

A

B

C

D



NOTES:

- 1. MATERIAL : ABS UL94V-0
- 2. BURR : 0.05mm MAX

GENERAL TOLERANCE OF DIMENSIONS x.xxx ±0.005 x.xx ±0.05 x.x ±0.1	DRAWING	16.DEC.2004	YL	
	CHECK	16.DEC.2004	KC	
	APPROVAL	16.DEC.2004	GR	
	DATE		NAME	
SCALE	1/5 (A4)	UNIT	mm	DES.: LANPRO FACEPLATE FLAT WITH ID WINDOW, VERTICAL 4 PORTS, WHITE COLOR
DRAWING NO.		LP3317V4WH2_DD_ENB01W		
DRAWING CLASSIFICATION		S	SHEET	1 OF 1

1 2 3 4 5 6

10cm

