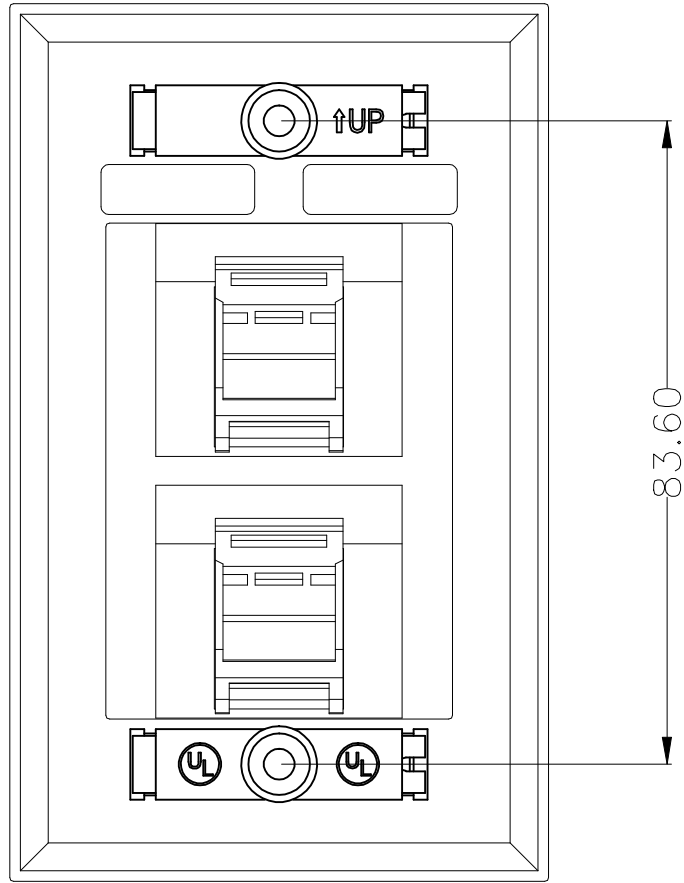
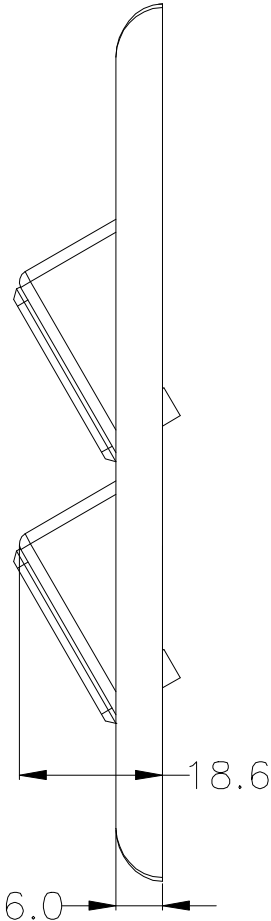
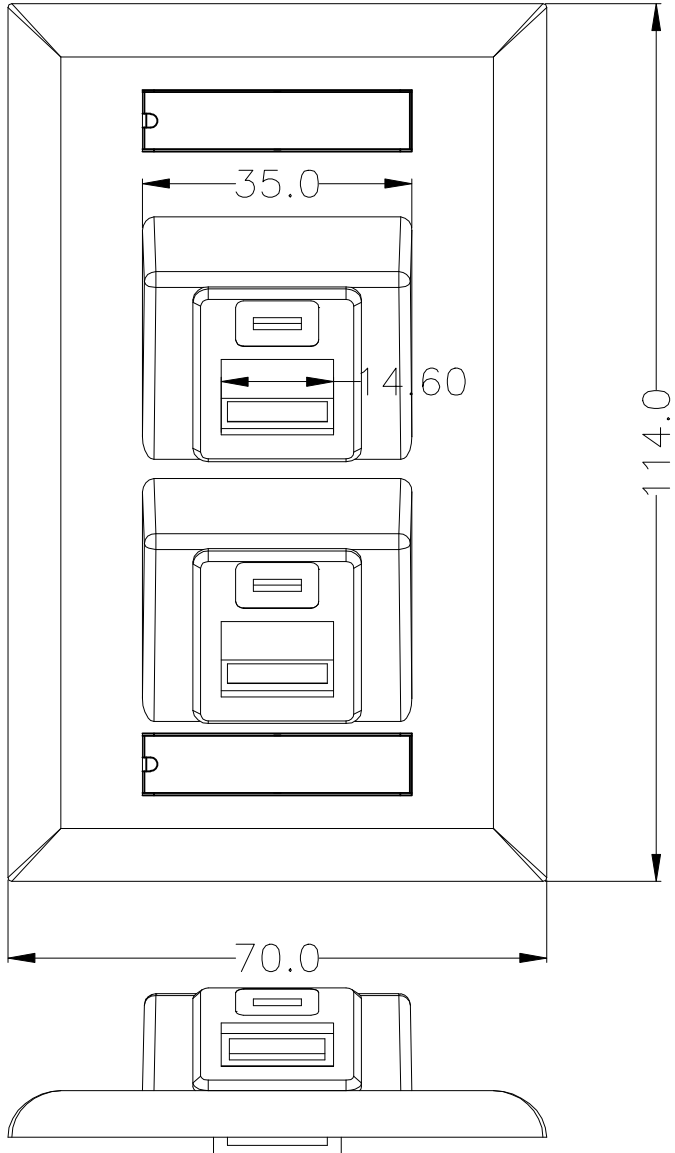


| REVISION RECORD | | | | |
|-----------------|-----|-------------|------|------|
| REV | ECO | DESCRIPTION | DRFT | CHKD |
| | | | | |



| | | | | | |
|----------------|----------------------------|-------|------------------------------------|----|-----------------------|
| DETACHED LISTS | ← MM (INCH) → | | DFTO | YL | DATE 2010/02/27 |
| | TOLERANCES EXCEPT AS NOTED | | CHKD | KC | DATE 2010/02/27 |
| | 0.00-20.00 | ±0.10 | MFO | | DATE |
| | 20.00-50.00 | ±0.15 | APPVL | GR | DATE 2010/02/27 |
| | 50.00-100.00 | ±0.20 | REV | GR | DATE 2010/02/27 |
| | 100.00- | ±0.25 | MATERIAL: | | |
| | angle | ±30' | PART NO. | | LP-3317V2YY1 |
| | | | DRAWING NO. | | LP3317V2YY1_DD_ENB01W |
| | | | TITLE | | |
| | | | Two Port Angled Vertical Faceplate | | |



8 7 6 5 4 3 2 1

H
G
F
E
D
C
B
A