

1

2

3

4

5

6

A

A

B

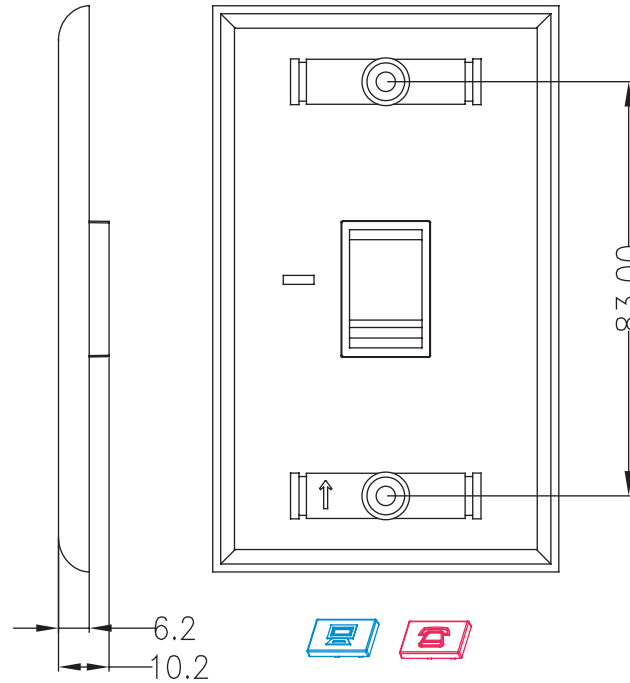
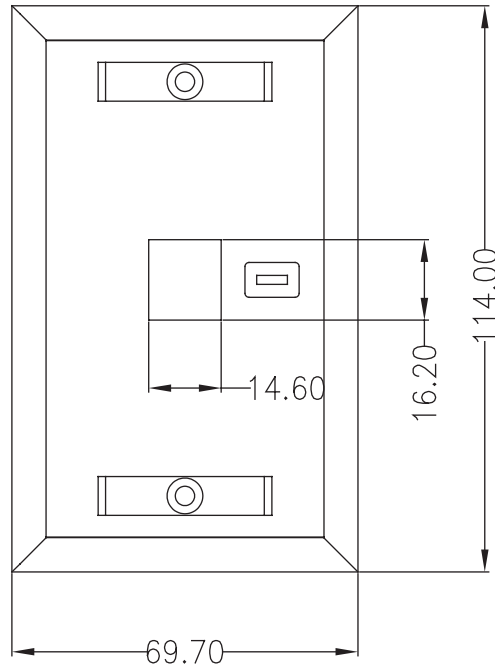
B

C

C

D

D



NOTES:

- 1. MATERIAL : ABS UL94V-0
- 2. BURR : 0.05mm MAX

GENERAL TOLERANCE OF DIMENSIONS x.xxx ±0.005 x.xx ±0.05 x.x ±0.1	DRAWING	16.DEC.2004	YL		
	CHECK	16.DEC.2004	KC		
	APPROVAL	16.DEC.2004	GR		
	DATE		NAME		ITEM NO.: LP-3317V1WH2
SCALE	1/5 (A4)	UNIT	mm	DES.: LANPRO FACEPLATE FLAT WITH ID WINDOW, VERTICAL 1 PORT, WHITE COLOR	
DRAWING NO.		LP3317V1WH2_DD_ENB01W			
DRAWING CLASSIFICATION		S	SHEET	1 OF 1	

1

2

0

3

4

10cm

5

6