

LP-WU07SPOR01
Outdoor Wall mount RJ45 Surge protector Device for Ethernet and PoE,
Universal Series, IP65 with 1 port

LPWU07SPOR01_SS_ENB01W

Features:

- Connection mode: RJ45.
- Ports: 1.
- Installation:
Outdoor Wall Mount.
- Protection Rating
(IP Code): IP65.
- Compliance: IEC6164321,
UL497B, IEEE 802.3af
PoE/802.3 at PoE Plus.



LP-WU07SPOR01
Outdoor Wall mount RJ45 Surge protector Device
for Ethernet and PoE, Universal Series,
IP65 with 1 port

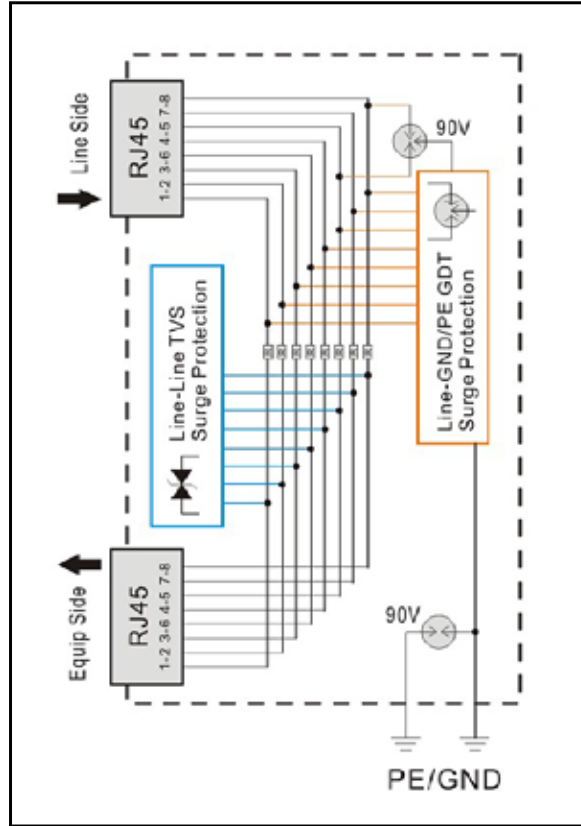
LP-WU07SPOR01 RJ45 Series surge protective devices are applied to surge protection for data communication systems. LP-WU07SPOR01 is connected in series in CAT6 network cables, compatible with 100/1000M Ethernet systems, protecting the equipment which are connected to the network (e.g. computers, routers, PoE devices, etc.) against damages by overvoltage surge. (Standards compliance: IEC6164321, UL497B, IEEE 802.3af PoE/802.3 at PoE Plus).



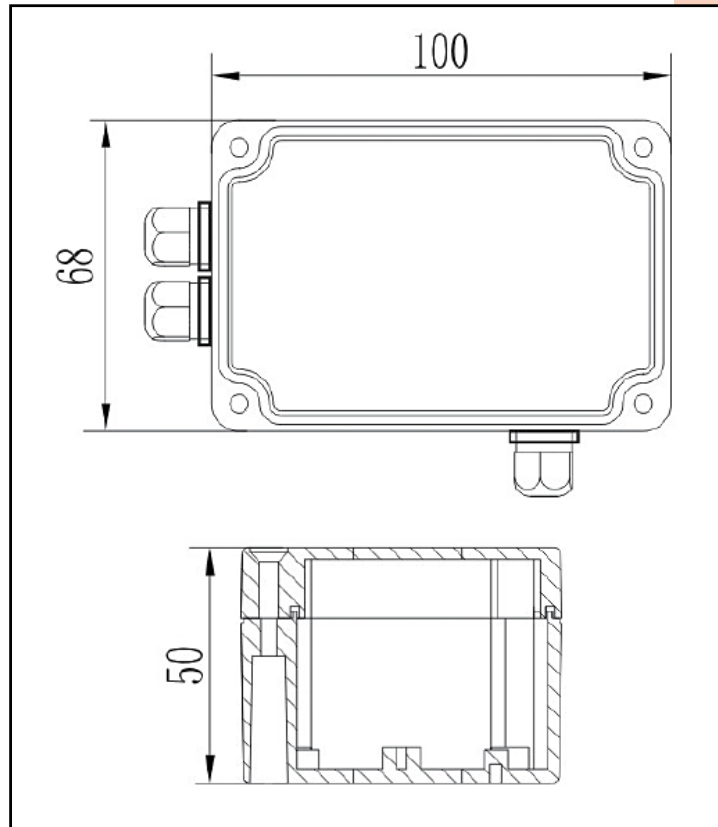
A Technical Data:

Nominal operating voltage (Un)	2.8V(Ethernet)/48V(PoE)
Max. continuous operating voltage (UC)	3V(Ethernet)/60V(PoE)
Nominal Discharge Current (In @8/20μs)	3kA (line to line)
Max. Discharge Current (Imax @8/20μs)	20kA (line to GND/PE)
Voltage protection level (Up @line-line)	50V @ 3kV (1.2/50)
Voltage protection level (Up @line GND/PE)	700/800V @ 3kV (1.2/50)
Max Line Current	600mA (PoE)
Data Rate	100/1000Mbps
Bandwidth (3dB) per pair	>250MHz
Insertion Loss	<0.5dB @100MHz
Line GND/ PE Protected	8 line Protection
Pairs Protected	1-2,3-6,4-5,7-8
Protective Element	GDT (line GND/PE), TVS (line-line)
Voltage Breakdown Range, Vdc @ 100 V/s	2.4-188 (LL) / 72-108(LG)
Impulse Voltage Range,Vdc @ 100 V/μs	<1000
Line 5-8 Protected	Yes
Response Time (tA)	<100ns (line GND/PE), <1ns (line-line)
Connection mode	RJ45
Temperature Range	40° to 176°F (40° to 80°C)
Relative Humidity	0% to 95% non condensing
Maximum Operating Altitude	10,000 feet (3000m)
Protection Rating (IP Code)	IP65
Surge Life at 0.5kA (8/20μs)	>2000 events
Housing Material	Thermoplastic, UL94 V-0
Net Weight Per Unit	0.36Lb (163g)
Package Dimension (WxDxH)	4.9"×3.5"×2.0" (122mm×89mm×50mm)

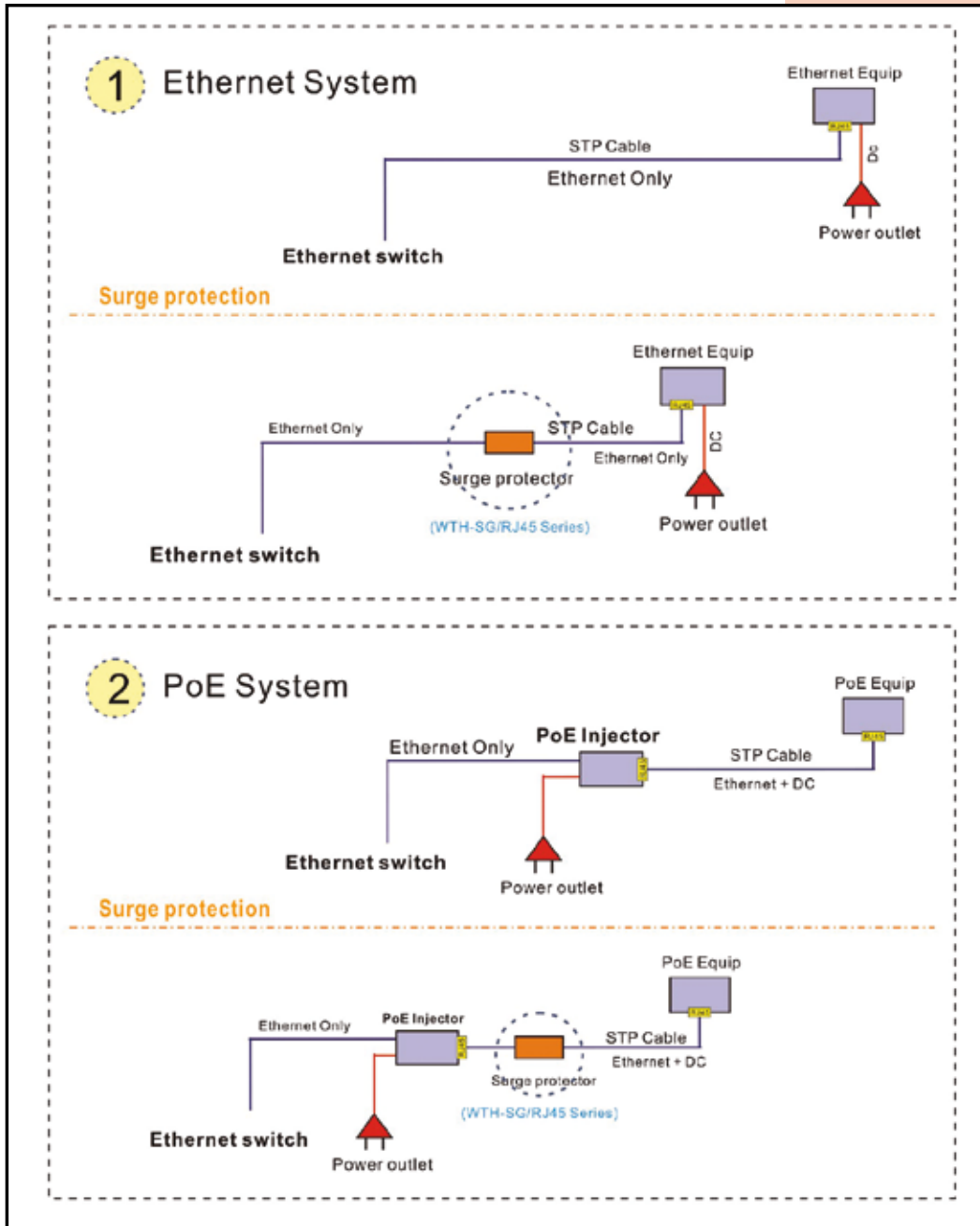
B Connection Diagram:



C Dimensions:



D Application:



E How to order:

LP-WU07SPOR01 Outdoor Wall mount RJ45 Surge protector Device for Ethernet and PoE, Universal Series, IP65 with 1 port.