

**LP-WU07SPIR01****Indoor Wall mount RJ45 Surge protector Device for Ethernet and PoE,  
Universal Series with 1 port**

LPWU07SPIR01\_SS\_ENB01W

**Features:**

- Connection mode: RJ45
- Ports: 1.
- Installation: Wall Mount.
- Compliance: IEC6164321, UL497B, IEEE 802.3af PoE/802.3 at PoE Plus.

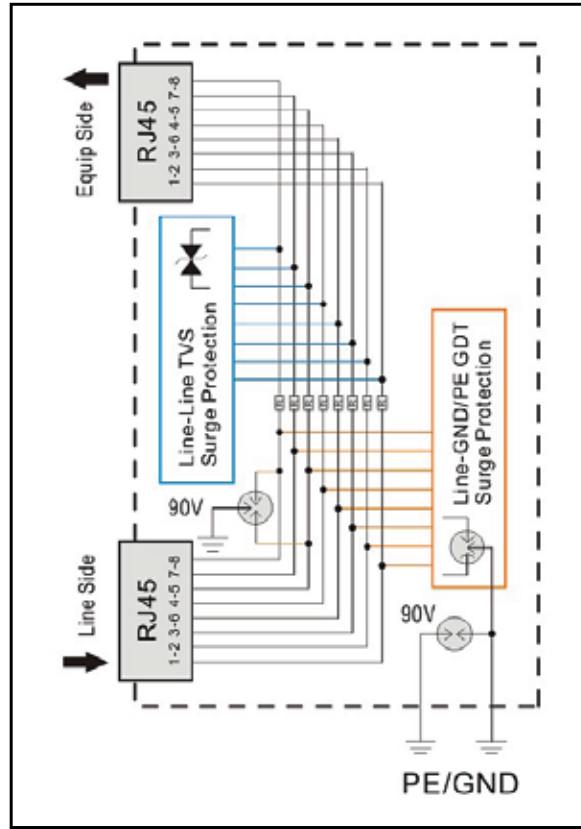
**LP-WU07SPIR01****Indoor Wall mount RJ45 Surge protector Device  
for Ethernet and PoE, Universal Series with 1 port**

LP-WU07SPIR01 RJ45 Series surge protective devices are applied to surge protection for data communication systems. LP-WU07SPIR01 is connected in series in CAT6 network cables, compatible with 100/1000M Ethernet systems, protecting the equipment which are connected to the network (e.g. computers, routers, PoE devices, etc.) against damages by overvoltage surge. (Standards compliance: IEC6164321, UL497B, IEEE 802.3af PoE/802.3 at PoE Plus).

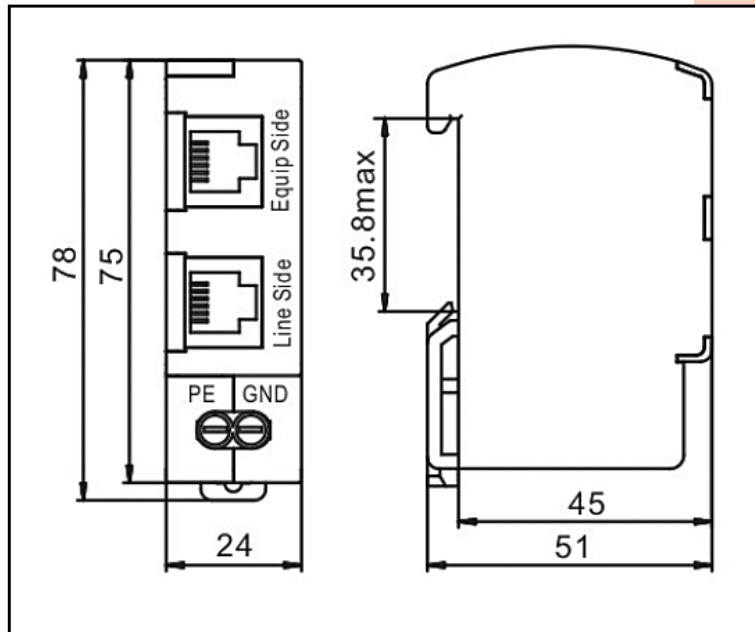
**A Technical Data:**

<b>Nominal operating voltage (Un)</b>	2.8V (Ethernet)/48V(PoE)
<b>Max. continuous operating voltage (UC)</b>	3V (Ethernet)/60V(PoE)
<b>Nominal Discharge Current (In @8/20μs)</b>	3kA (line to line)
<b>Max. Discharge Current (Imax @8/20μs)</b>	20kA (line to GND/PE)
<b>Voltage protection level (Up @line-line)</b>	50V @ 3kV (1.2/50)
<b>Voltage protection level (Up @line GND/PE)</b>	700/800V @ 3kV (1.2/50)
<b>Max Line Current</b>	600mA (PoE)
<b>Data Rate</b>	100/1000Mbps
<b>Bandwidth (3dB) per pair</b>	>250MHz
<b>Insertion Loss</b>	<0.5dB @100MHz
<b>Pairs Protected</b>	1-2,3-6,4-5,7-8
<b>Protective Element</b>	GDT, TVS
<b>Voltage Breakdown Range, Vdc @ 100 V/s</b>	2.4-188 (LL) / 72-108(LG)
<b>Impulse Voltage Range, Vdc @ 100 V/μs</b>	<1000
<b>Response Time (tA)</b>	<100ns (line GND/PE), <1ns (line-line)
<b>Connection mode</b>	RJ45
<b>Temperature Range</b>	40° to 176°F (40° to 80°C)
<b>Relative Humidity</b>	0% to 95% non condensing
<b>Maximum Operating Altitude</b>	10,000 feet (3000m)
<b>Cross sectional area of earth lead</b>	3mm <sup>2</sup> multi stranded / flexible
<b>Stripping Length Contacts</b>	0.25inches (67mm)
<b>Terminal Screw Torque</b>	Max. 0.25Nm
<b>Protection Rating (IP Code)</b>	IP 20
<b>Surge Life at 0.5kA (8/20μs)</b>	>2000 events
<b>Housing Material</b>	Thermoplastic, UL94 V-0
<b>Net Weight Per Unit</b>	0.16Lb (71g)
<b>Package Dimension (W×D×H)</b>	0.9"×2.0"×3.1" (24mm×51mm×78mm)

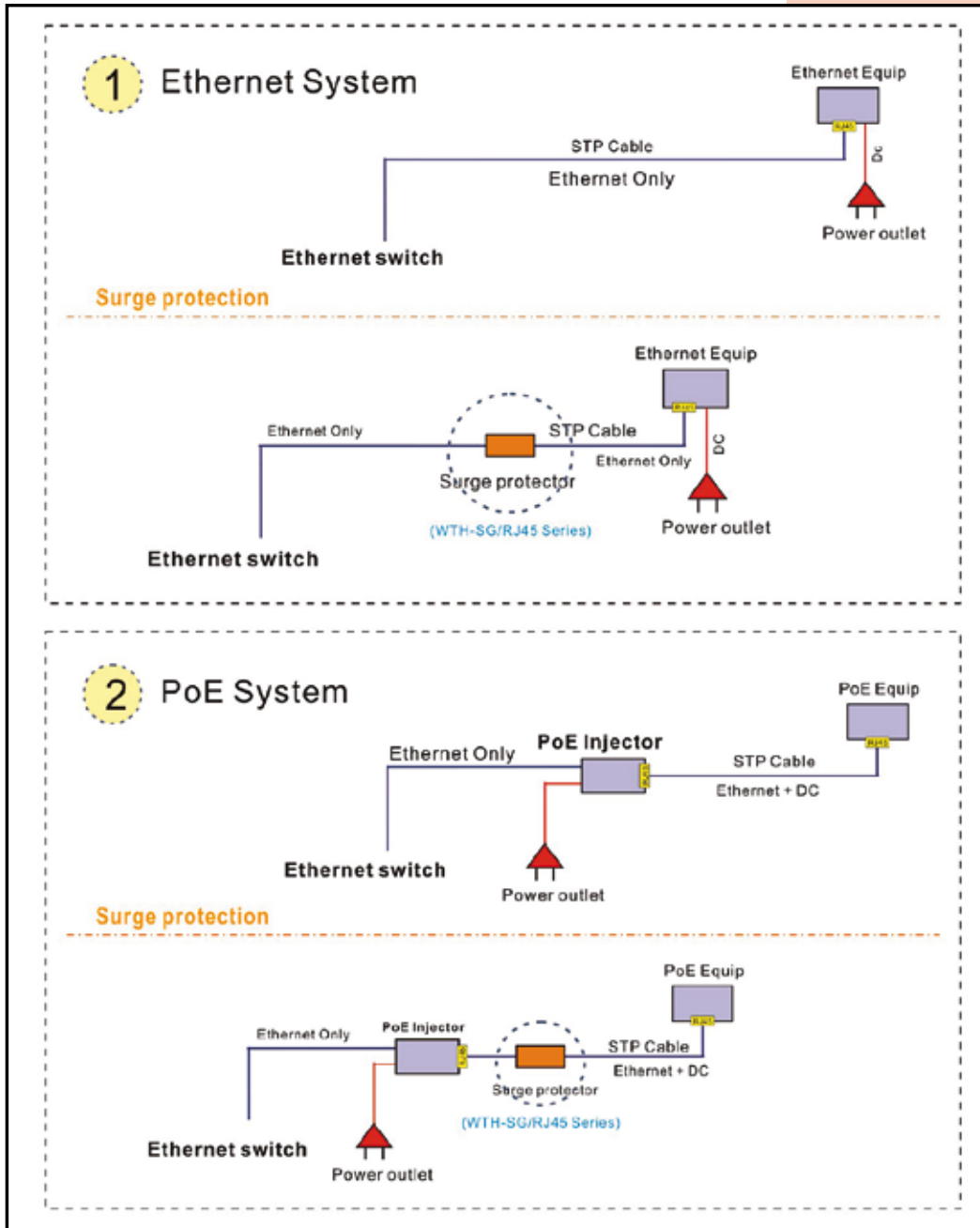
**B Connection Diagram:**



**C Dimensions:**



**D Application:**



**E How to order:**

**LP-WU07SPIR01 Indoor Wall mount RJ45 Surge protector Device for Ethernet and PoE, Universal Series with 1 port.**