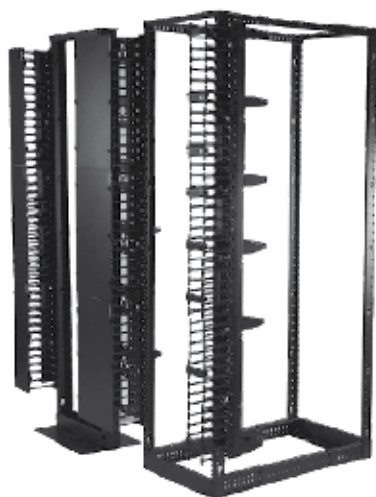


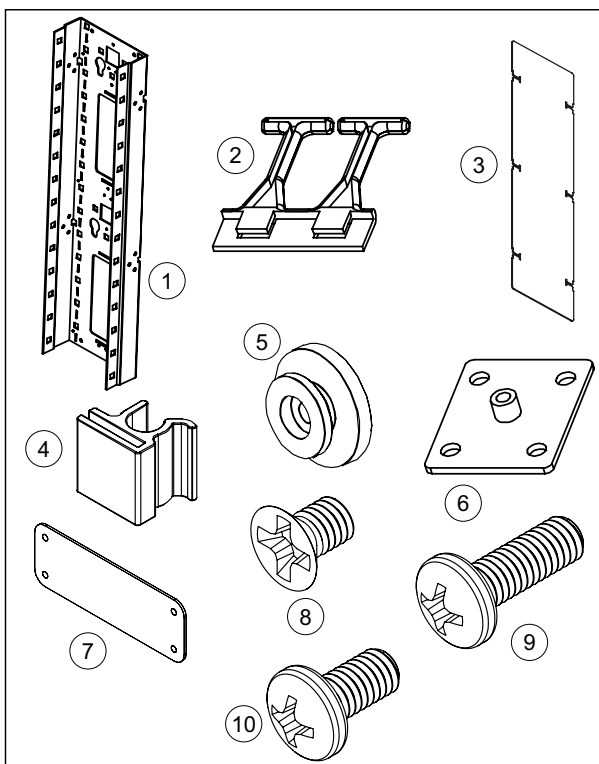
## LP-VR707CTV1ABK

 **VersaLine**  
by LANPRO



**VersaLine**  
**19" Rack mountable**  
**Vertical Cable Tray**  
**User Guide**

## 1 Parts List



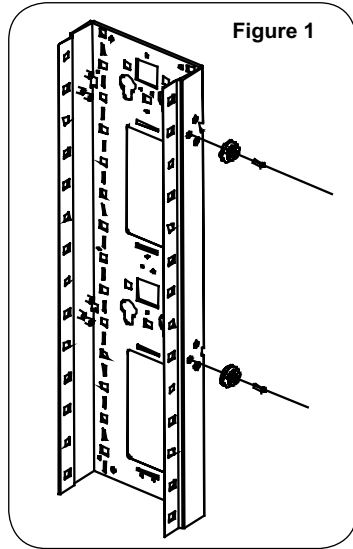
S/N	Name	Qty.(pcs)
1	Cable Tray Frame	3
2	Cable Guide	42
3	Cable Tray Door	3
4	Door Hinge	18
5	Mounting Button	6
6	Mounting Bracket	6
7	Tie Plate	2
8	M4 x 6mm Flat Head Screw	24
9	M4 x 12 mm Pan Head Screw	6
10	M4 x 8 mm Pan Head Screw	8

*Note: Part list for assembling one (1) unit is shown in the above table, it is a three (3) pieces cable tray.*

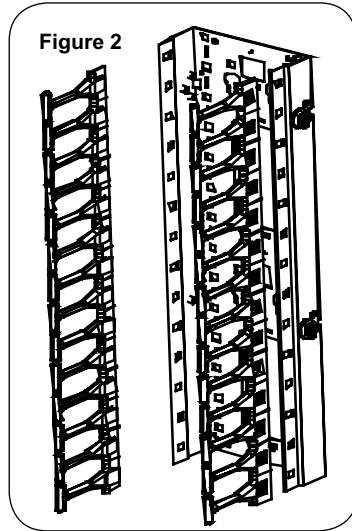
2

Single-Depth Installation (Medium-Density Cabling Configuration).

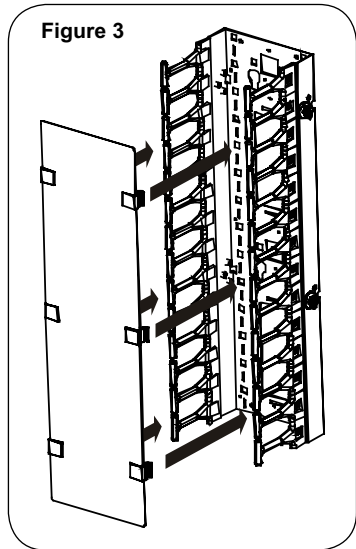
- 2.1 Using (2) M4x12 mm pan head screws, attach (2) mounting buttons to the cable tray frame.



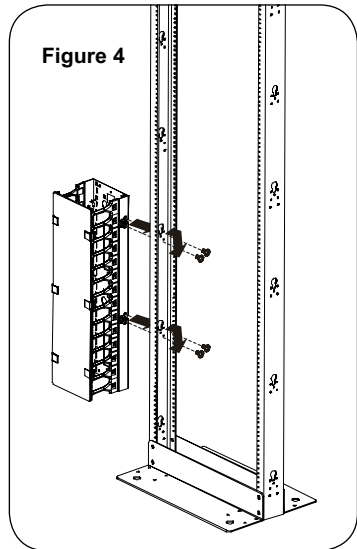
- 2.2 Attach (14) cable guides to the cable tray frame, the cable guides slide over the edges of the cable tray frame to form a tight attachment.



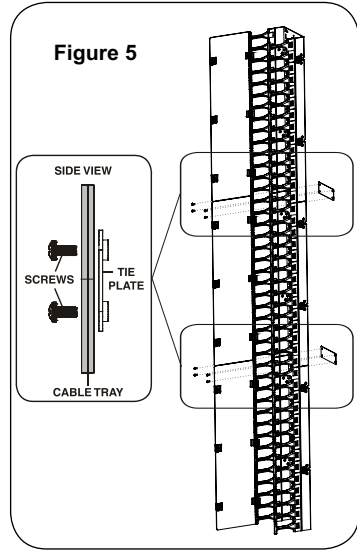
- 2.3 Slide (6) door hinges over the edge of cable tray door and install door panel on the cable guides.



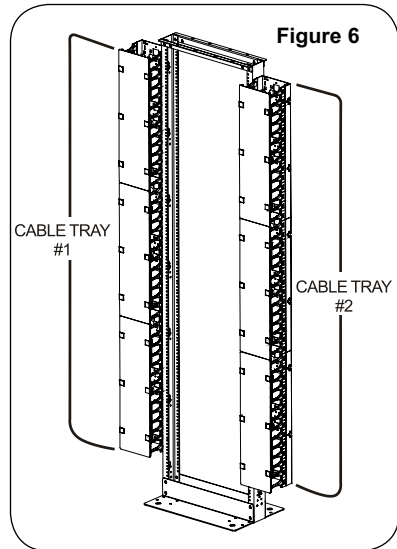
- 2.4 Align the mounting buttons with the mounting slots and then slide the cable tray downwards until secure (2 Post is shown above, same steps for 4 Post).



- 2.5 Repeat Steps 1-4 to assemble and mount the other two cable trays, then using (2) tie plates and (8) M4x8mm screws to connect adjacent cable trays for added stability.

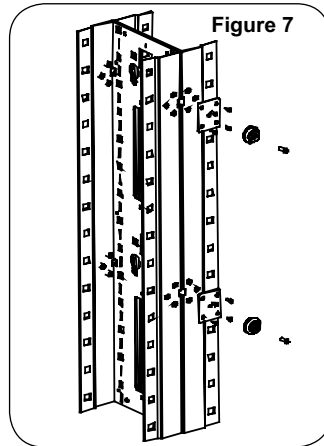


- 2.6 Repeat Steps 1-5 to install another set of cable trays on the other side of the open frame rack.

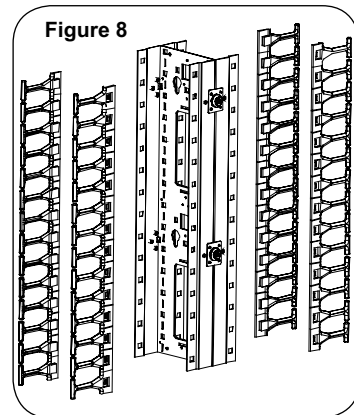


## 3 Double-Depth Installation (High-Density Cabling Configuration).

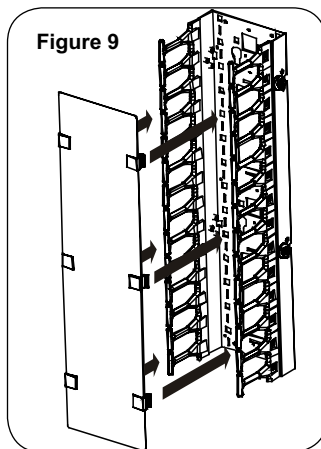
- 3.1** Using (8) M4x6mm flat head screws to fasten (2) mounting brackets on two cable tray frame, then attach (2) mounting buttons on the mounting brackets with (2) M4x12mm pan screws.



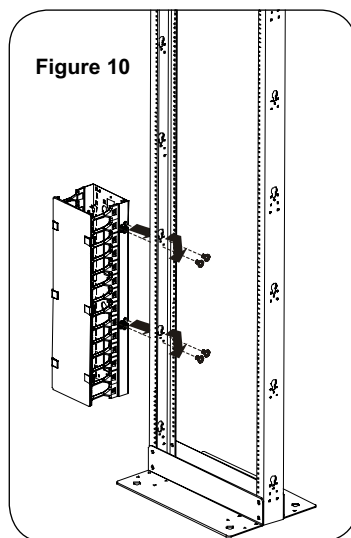
- 3.2** Attach (28) cable guides to the cable tray frame, the cable guides slide over the edges of the cable tray frame to form a tight attachment.



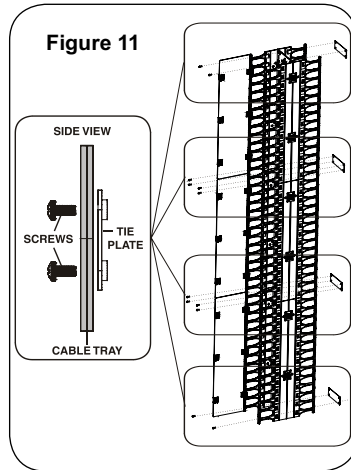
- 3.3 Slide (6) door hinges over the edge of cable tray door and install door panel on the cable guides.



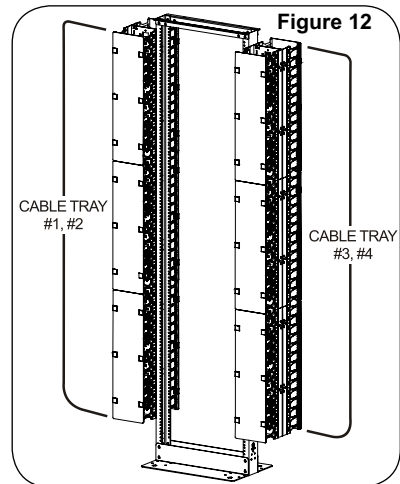
- 3.4 Align the mounting buttons with the mounting slots and then slide the cable tray downwards until secure. (2 Post is shown above, same steps for 4 Post).



- 3.5** Repeat Steps 1-4 to assemble and mount the other two cable trays, then using (2) tie plates and (8) M4x8mm pan screws to connect adjacent cable trays for added stability.



- 3.6** Repeat Steps 1-5 to install another set of cable trays on the other side of the open frame rack.



Designed and Manufactured under LanPro™ standards and specifications. LanPro™ is a member of One Network Alliance Group of Companies. LanPro™ products are made in one of the following countries: USA, China, Taiwan, Thailand and Korea. The exact country of origin is unknown.

LanPro™, How Information Moves... and LanProfessional are US registered brands.

LanPro America: 1880 NW 93rd Av, Doral, Florida 33172, USA. Main web page: [www.lanpro.com](http://www.lanpro.com) Support: [support@lanpro.com](mailto:support@lanpro.com)