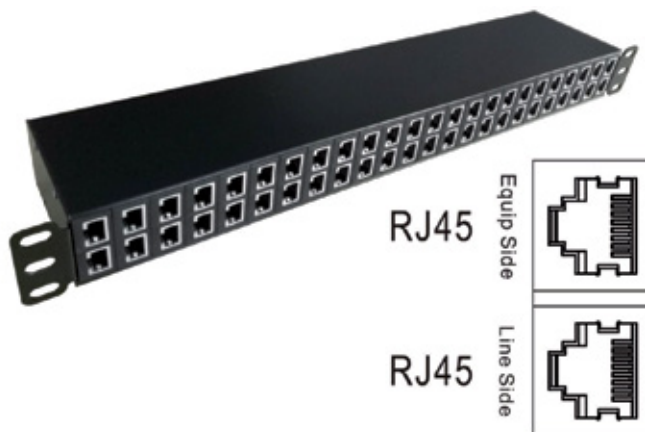


LP-RU07SPIR24 Indoor Rack mount RJ45 Surge protector Device for Ethernet and PoE, Universal Series, 19" wide Horizontal with 24 ports

LPRU07SPIR24_SS_ENB01W

Features

- Connection mode: RJ45
- Ports: 24
- Installation: 19" Rack Mount
- Compliance: IEC6164321, UL497B, IEEE 802.3af PoE/802.3 at PoE Plus



LP-RU07SPIR24

Indoor Rack mount RJ45 Surge protector Device for Ethernet and PoE, Universal Series, 19" wide Horizontal with 24 ports

LP-RU07SPIR24 RJ45 Series surge protective devices are applied to surge protection for data communication systems. **LP-RU07SPIR24** is connected in series in CAT 6 network cables, compatible with 100/1000M Ethernet systems, protecting the equipment which are connected to the network (e.g. computers, routers, PoE devices, etc.) against damages by overvoltage surge. (Standards compliance: IEC6164321, UL497B, IEEE 802.3af PoE/802.3 at PoE Plus).

A Connection Diagram

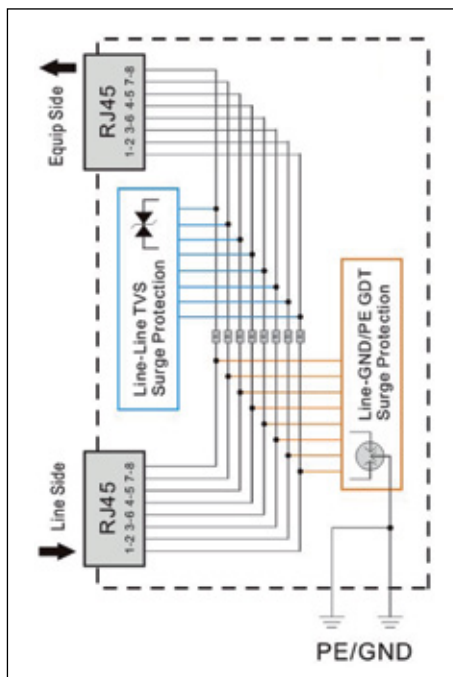


Figura 1

B Technical Data

Nominal operating voltage (Un)	2.8V(Ethernet)/48V(PoE)
Max. continuous operating voltage (UC)	3V(Ethernet)/60V(PoE)
Nominal Discharge Current (In @8/20µs)	3kA (line to line)
Max. Discharge Current (Imax @8/20µs)	20kA (line to GND/PE)
Voltage protection level (Up @line-line)	50V @ 3kV (1.2/50)
Voltage protection level (Up @line GND/PE)	700/800V @ 3kV (1.2/50)
Max Line Current	600mA (PoE)
Data Rate	100/1000Mbps
Bandwidth (3db) per pair	>250MHz
Insertion Loss	<0.5dB @100MHz
Pairs Protected	1-2,3-6,4-5,7-8
Protective Element	GDT, TVS
Voltage Breakdown Range, Vdc @ 100 V/s	2.4-188 (LL) / 72-108(LG)
Impulse Voltage Range,Vdc @ 100 V/µs	<1000
Response Time (tA)	<100ns (line GND/PE), <1ns (line-line)
Connection mode	RJ45 (24 Port)
Temperature Range	40° to 176°F (40° to 80°C)
Relative Humidity	0% to 95% non condensing
Maximum Operating Altitude	10,000 feet (3000m)
Surge Life at 0.5kA (8/20µs)	>2000 events
Material of Construction	Black oxidized aluminum alloy
Housing Material	19 inch Rack
Net Weight Per Unit	2.2Lb (1000g)
Package Dimension (W×D×H)	19"×1.8"×3.6" (482mm×45mm×90mm)

C 19" Rack mounting Installation

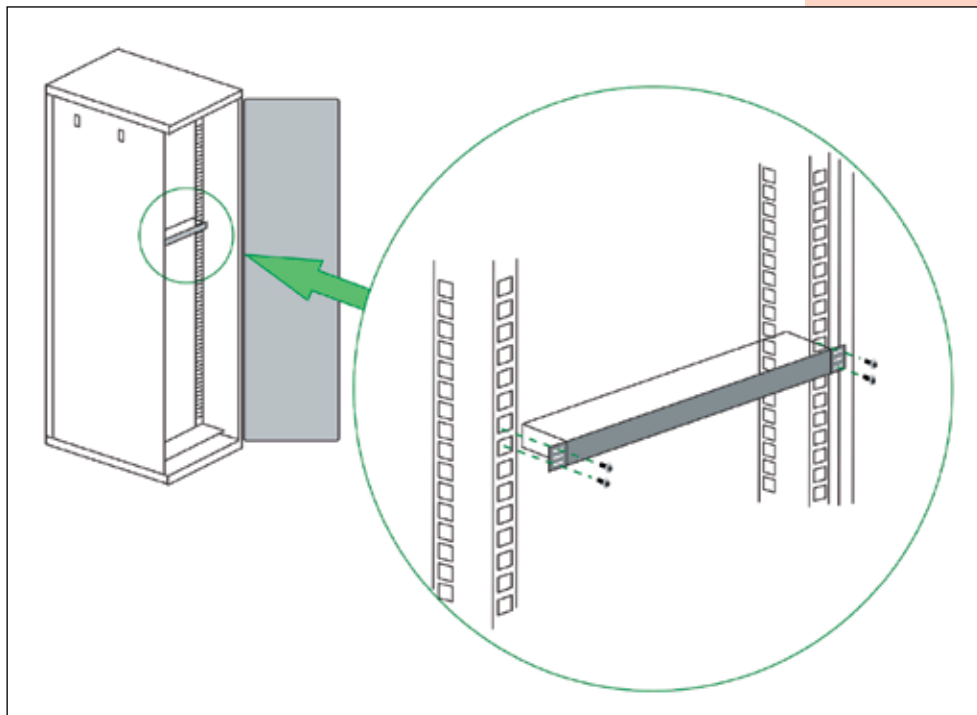


Figura 2

D Application

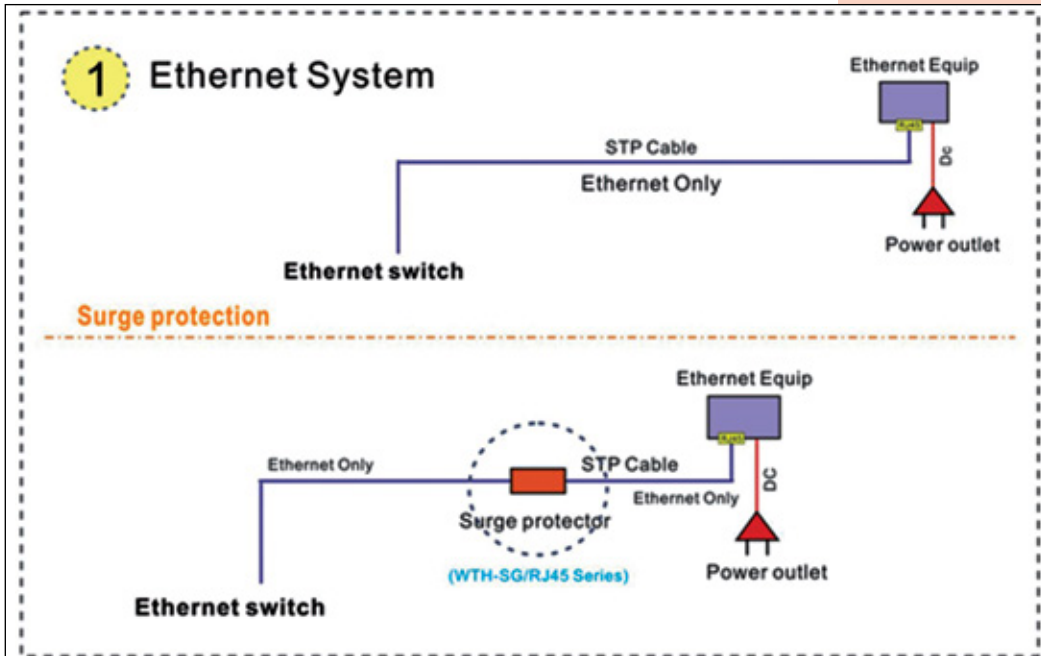


Figura 3

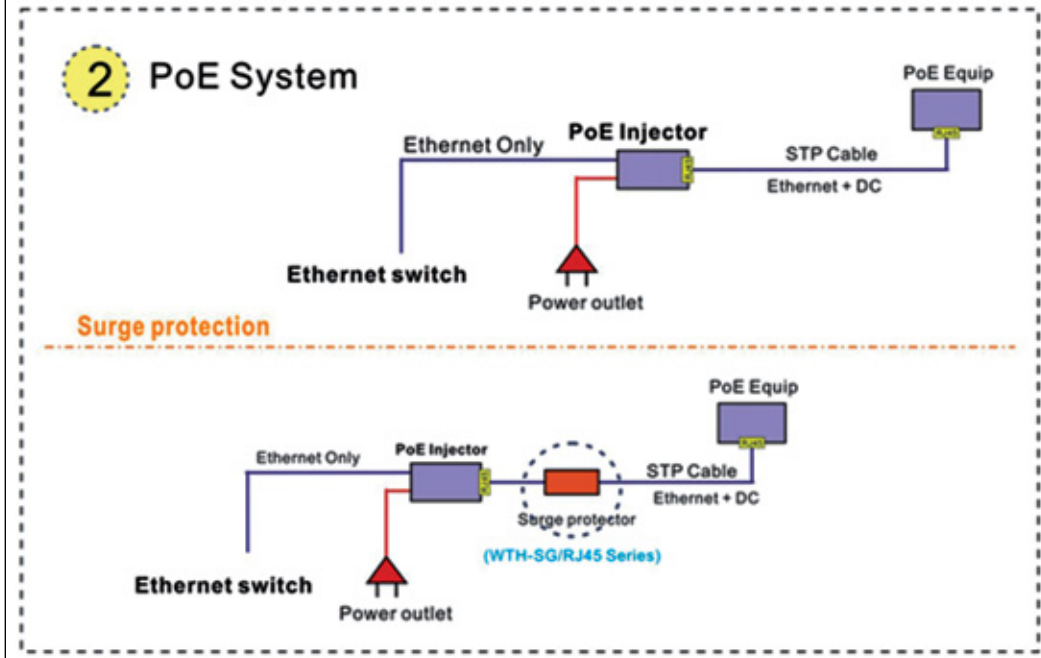


Figura 4

F How to order

LP-RU07SPIR24 Indoor Rack mount RJ45 Surge protector Device for Ethernet and PoE, Universal Series, 19" wide Horizontal with 24 ports.

LanPro is continuously improving its products and reserves the right to change specifications and availability without prior notice.