

LP-RU07KMXX

LCD KVM Switch Module Style. Quick Installation Guide

LPRU07KMXX_IG_ENB01W



LP-RU07KMXX

LCD KVM Switch Module Style.

Quick Installation Guide



A PACKING LIST

Type	Name	Num/Unit	Note
LCD KVM Console	KVM Control Platform	1	17 or 19 inches LCD screen, keyboard and mouse control platform integrated KVM switch with multiple ports (4/8/16ports).
USB o PS/2	KVM Connecting Wire	1/8/16	
Power Adapter	Power Adapter	1	(100-240V).
KVM Control Platform User Manual	User Manual	1/2	LCD KVM User Manual/ IP Operation Guide

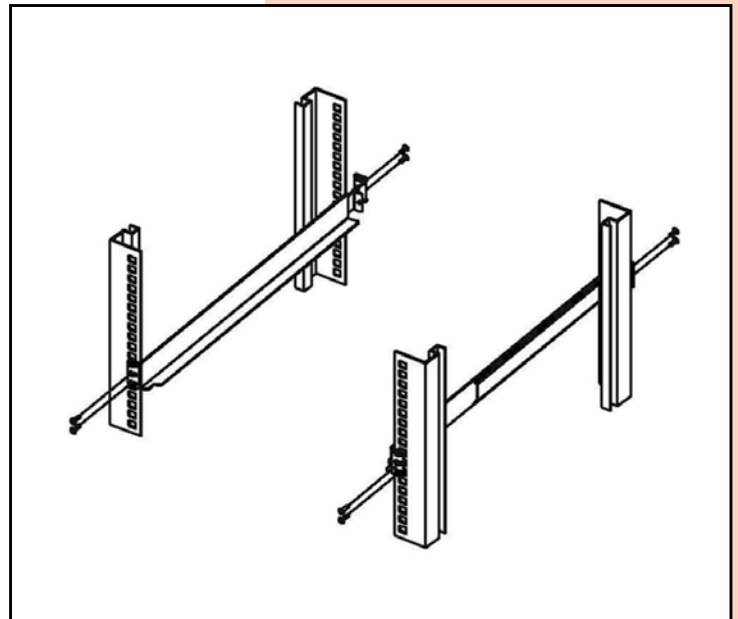
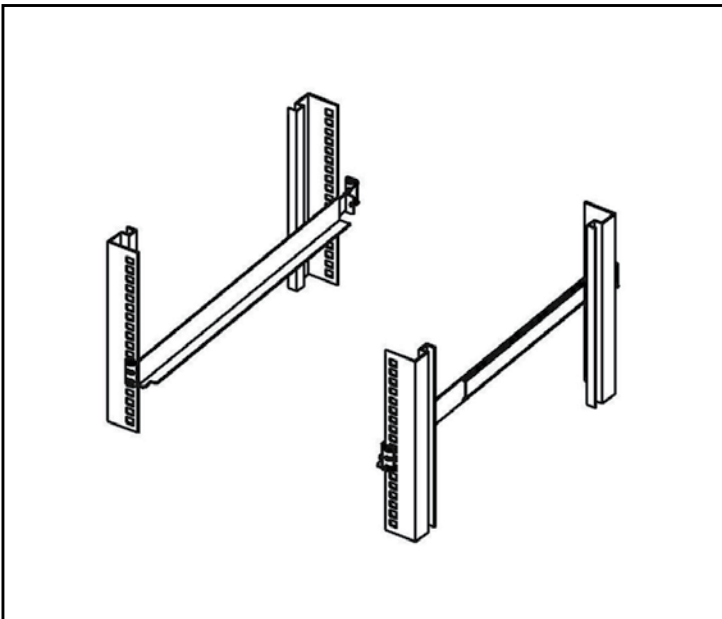
Please check the list carefully and contact with us if you have some problems. Please read the manual carefully before installation to avoid damaging devices.

B INSTALLATION

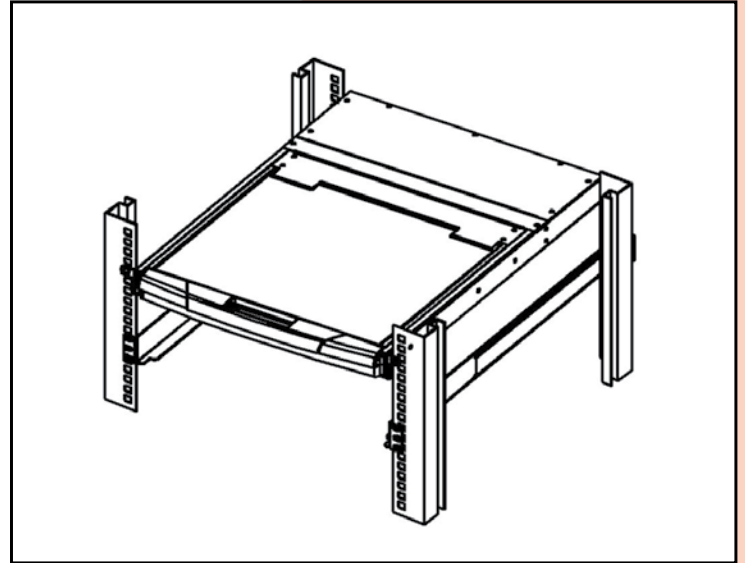
Before Use:
Make sure all the devices are power off.

External Mounting bracket installing (All 17" products):

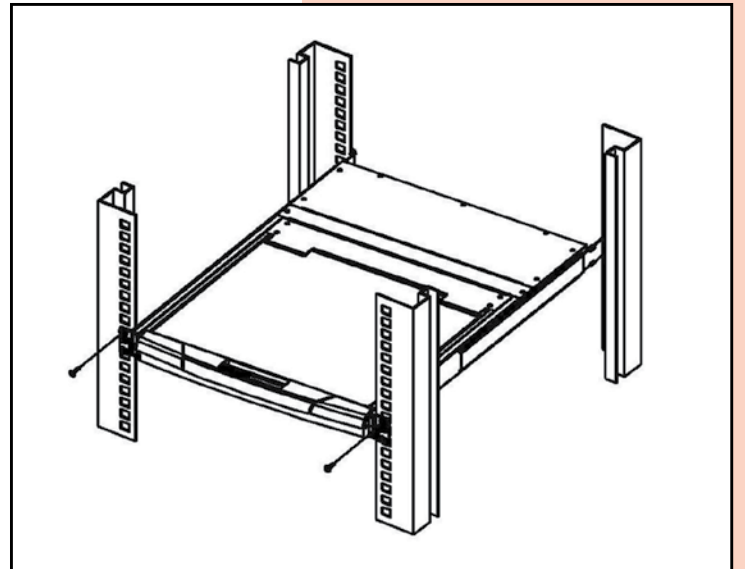
- 1 Screw the front flange to the rack first. Slide the bars with the rear flange towards the rack until the flanges make contact with the rack, then screw the rear flanges to the rack.



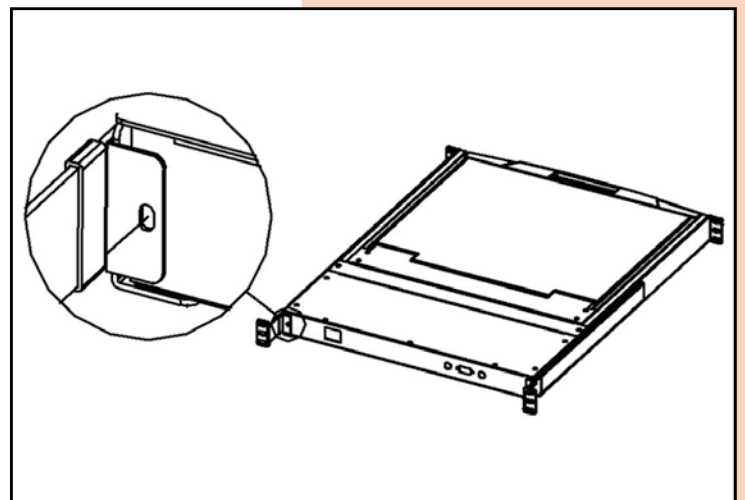
- 2 Slide the switch onto the support flanges. Use the screws supplied with this package to loosely attach the front of the switch to the front of the rack.



- 3 Slide the rear attachment sliding brackets along the slide bars until they contact the rear of the switch.

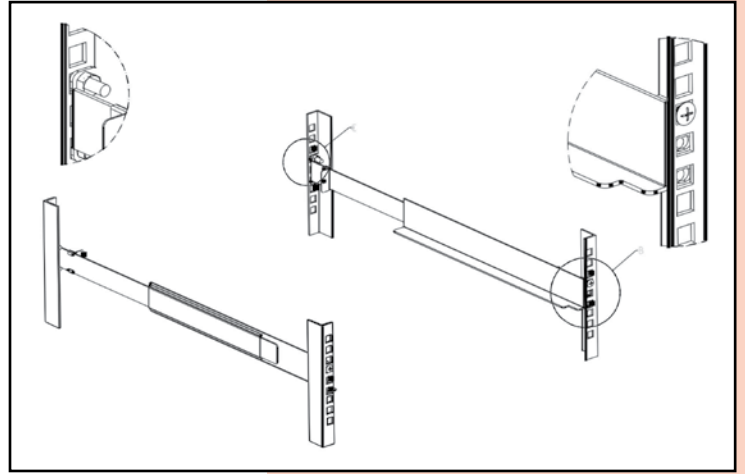
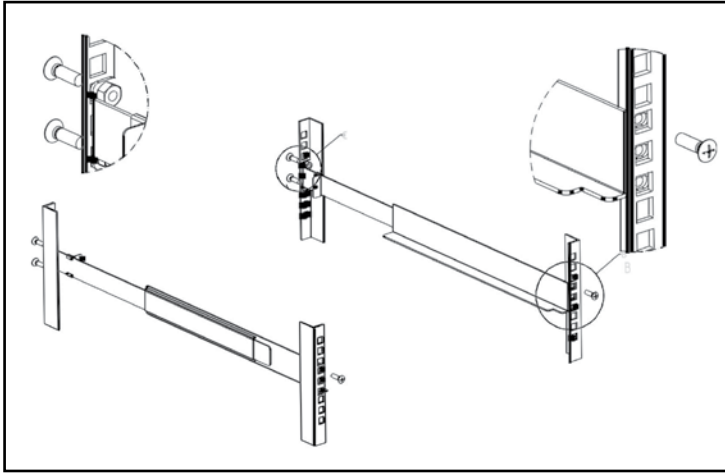


- 4 Use the screws supplied with this package to attach the bars to the rear of the switch.

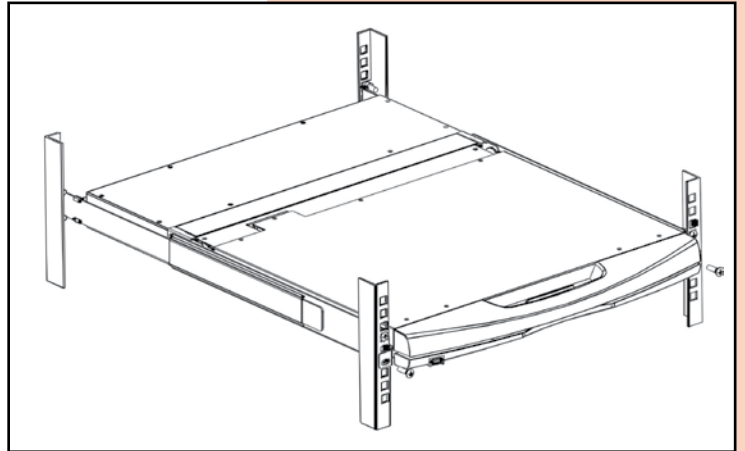
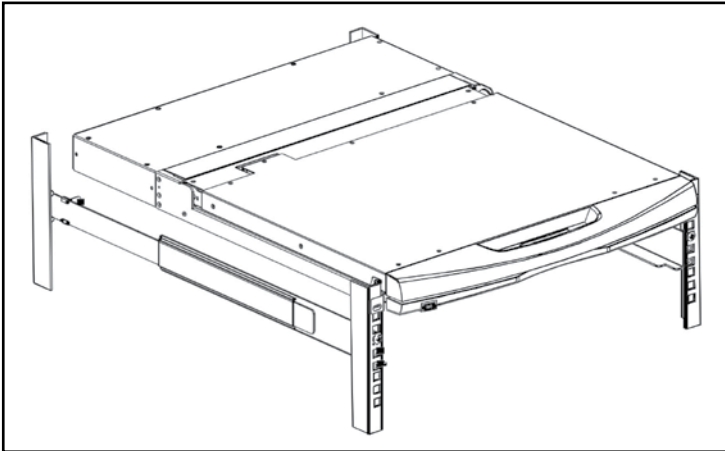


Built-in mounting bracket installing (All 19" products):

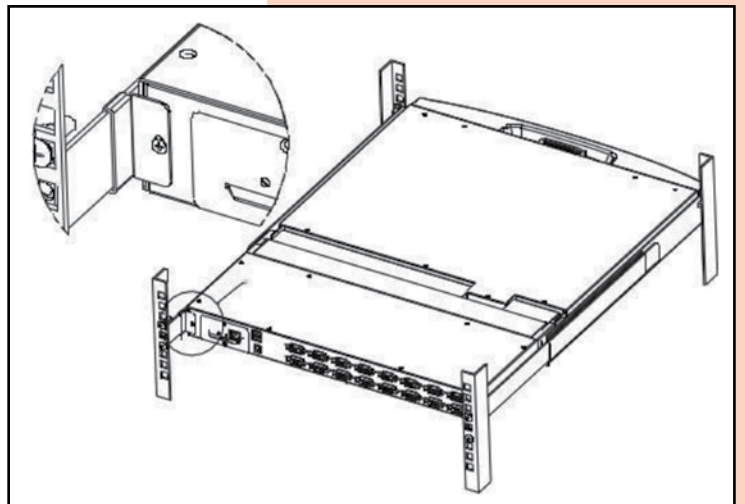
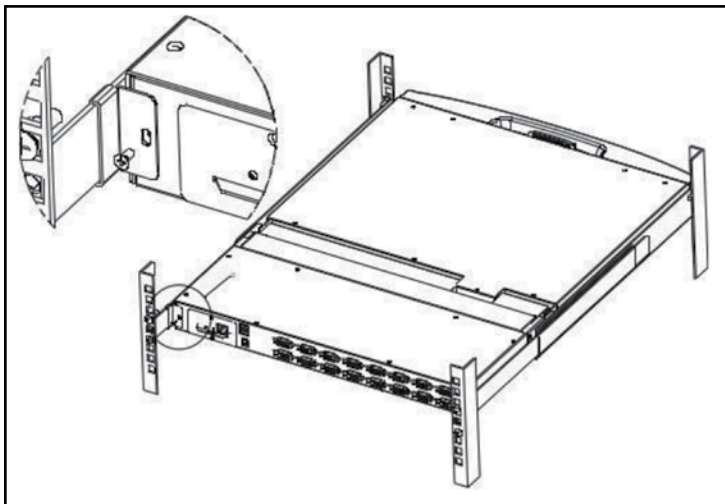
- 5** The built-in mounting bracket comes with a nut, and the fixing nut is welded inside the bending hole at the top of the bracket. Install the bracket into the cabinet mounting post on the upper cabinet, align the bracket mounting holes with the holes in the cabinet mounting column, and then use the screws to fix.



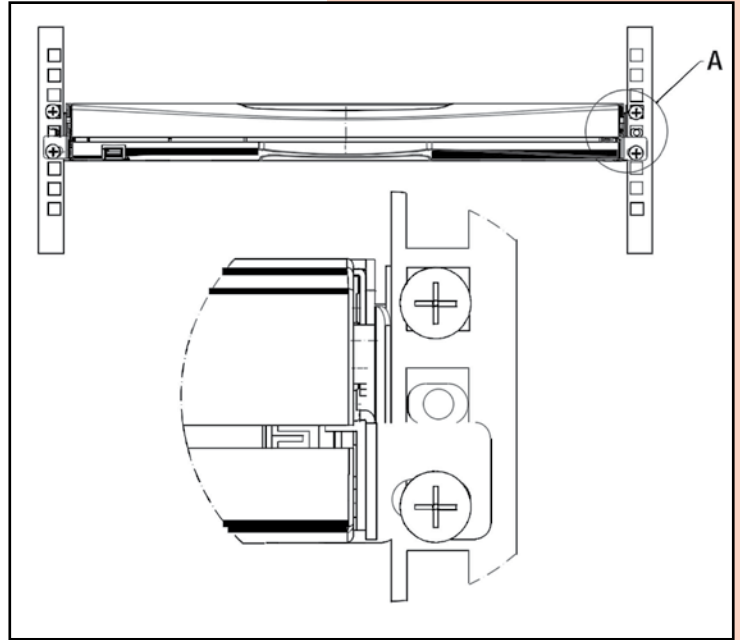
- 6** Place the KVM Switch in the installed bracket and secure the KVM Switch, cabinet and mounting bracket.



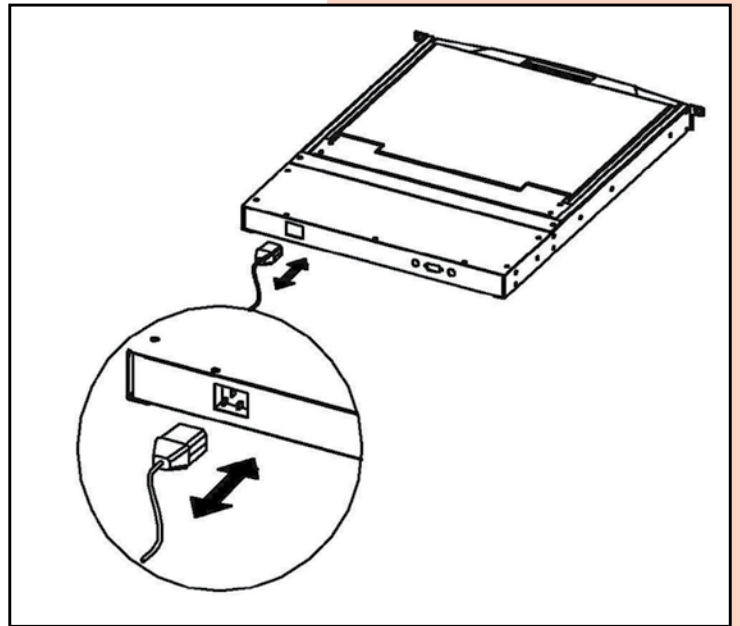
- 7** Mounting and fixing in the bracket tail.



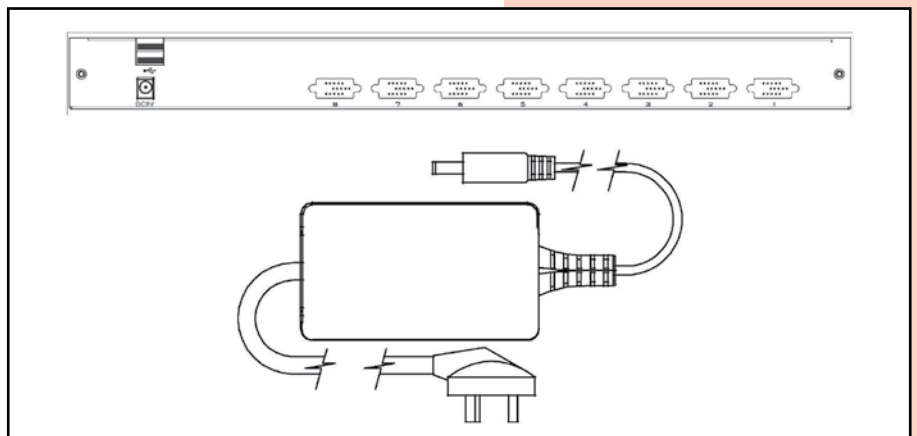
8 Screws mounting position instruction.



9 Connect power cables to the KVM.

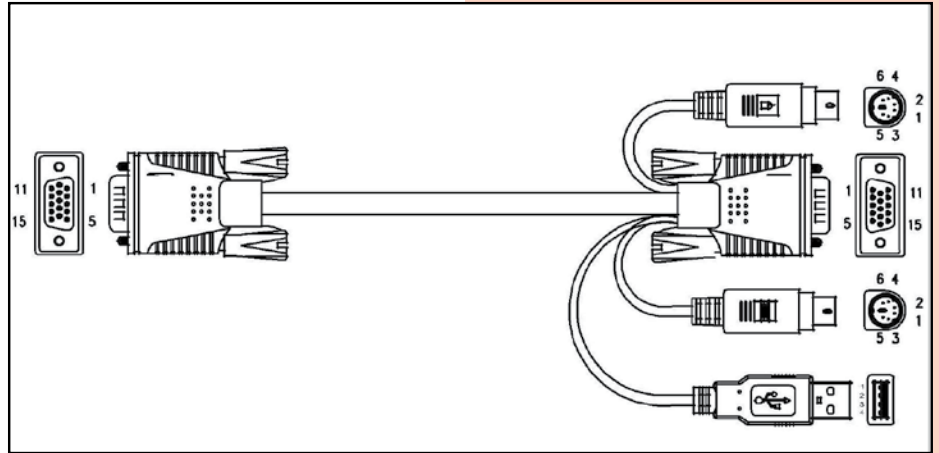


10 Connect KVM to PC or server.



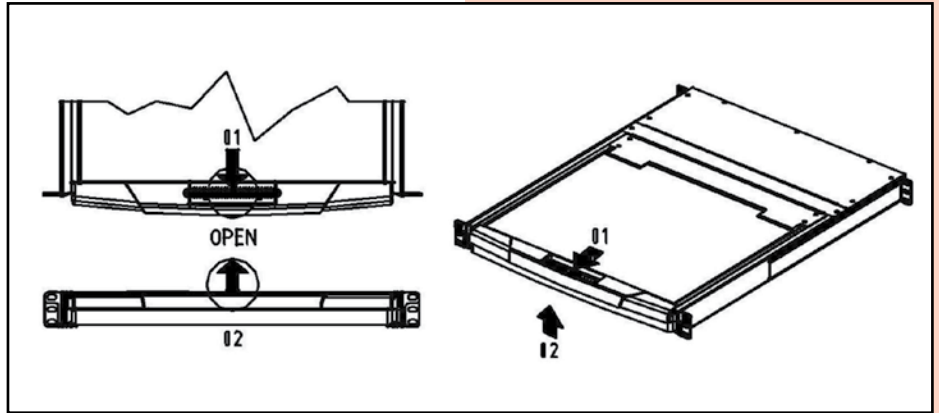
11 Note:

Power on after the KVM cable is properly connected.

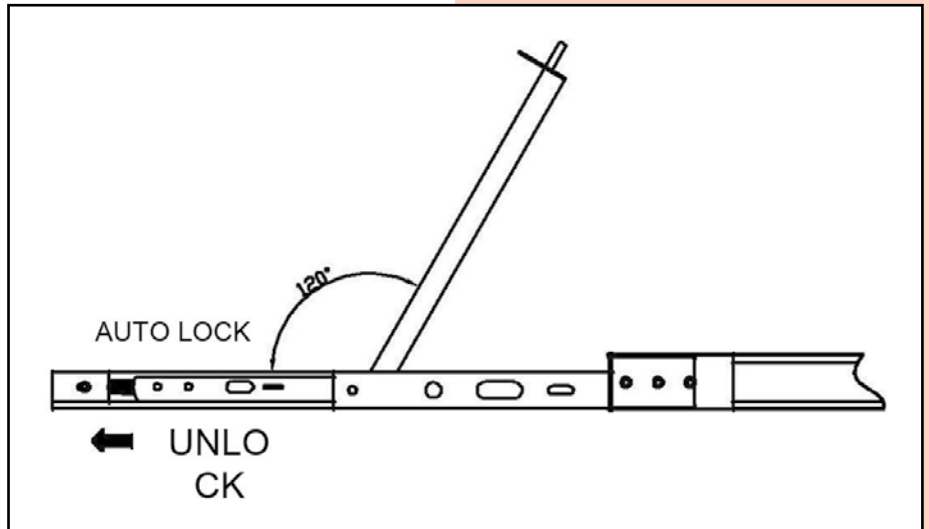


12 OPERATION

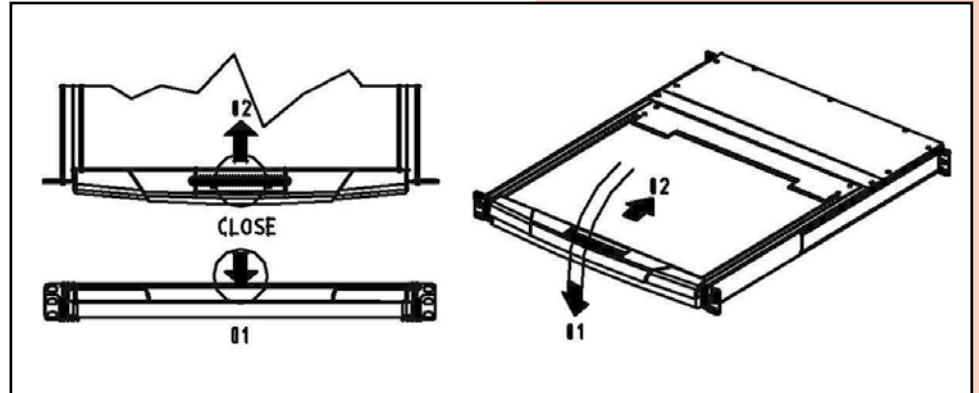
Pull the KVM control platform out from cabinet totally and release front lock.



13 Then open the front panel and the LCD can be turn on to 120 degrees. As shown below:



- 14** After use
- Press LCD power key, the LCD is power off.
 - Close LCD panel and lock the front panel.
 - Release guide lock.
 - Push the control panel into the cabinet totally, and then it is power off.



SAFETY GUIDE

- Please follow the directions below when installing, using and maintaining it in order to guarantee the device to work well.
- When installing and operating the device, please make sure proper power supply first, and then do other operations after it is initialized.
- As signal and power transfer need custom cable, please use matched cable, unmatched cable may cause system work improperly or even damage the device.
- Keep airy during operating to prevent high temperature.
- Keep the device away from working long in wet environment to prevent short circuit.
- Please do not open the device without permission of professionals.