

LP-R805XX 8000 Series ServerRack Cabinets.

LPR805XX_PFD_ENB01W

Features

- **Flexibility/Expandability**
Basic rack does not include doors, allowing the user to select according to the needs. All doors are left-right reversible by the user on location.
- **Security**
All doors and side panels are equipped with locks. Side panels also come with quick release slide latches for easy removal in lower security or maintenance environments. Security panels for bayed racks are also available.
- **Baying**
ServerRack can be bayed together at the time of installation, or sometime in the future, providing the user with expansion capability to match their needs.
- **Configurations**
ServerRack is provided in two basic configurations. For normal Installations, the cabinet comes with side panels. For baying or ganging Installations, the cabinet can be ordered without side panels. Additionally, we can provide assembled or flat packed versions. Please see our part codes for the proper part numbering.
- Overall compact size of 600 mm wide by up to 1000 mm deep, (Frame to Frame = 580 mm).
- Space saving flat pack shipping.
- Easily assembled on site.
- Lockable door and side panels for system security.
- Fully adjustable vertical mounting rails.
- Expandable with wide range of options.
- U numbers printed on rails
- Static Load Rating: 1000kg.
- Heavy Duty Caster rated to 250 kg per caster.
- **Heights:** 27 U, 39 U, 42 U, and 45 U.
- **Depths:** 600 mm, 800 mm, 900 mm, 1000 mm.
- **Standard:** Conforms to EIA-310D Type A, IEC-60297-2.
- **Material:** High grade cold rolled steel
All materials comply to RoHS standard.
- **Finish:** 5 stage iron phosphate pretreatment followed by tough scratch resistant powder coat paint.
- **Color:** Low Gloss Black.



LP-R805XX 8000 Series ServerRack Cabinets.

The ServerRack series 8000 namely LP-R805XX of LanPro, is suited for applications where several servers or groups of servers coexist with their cabling, in installations of diverse type. Their slimmer width permits the possibility of packing more of them in an existing floor plan, assembling them in bays used for Server Farms in IT environments.

Some models are 600mm deep, adequate for small installations where some equipment are rack mounted and other shelf mounted like: tower servers, modems, DVR or smaller devices.

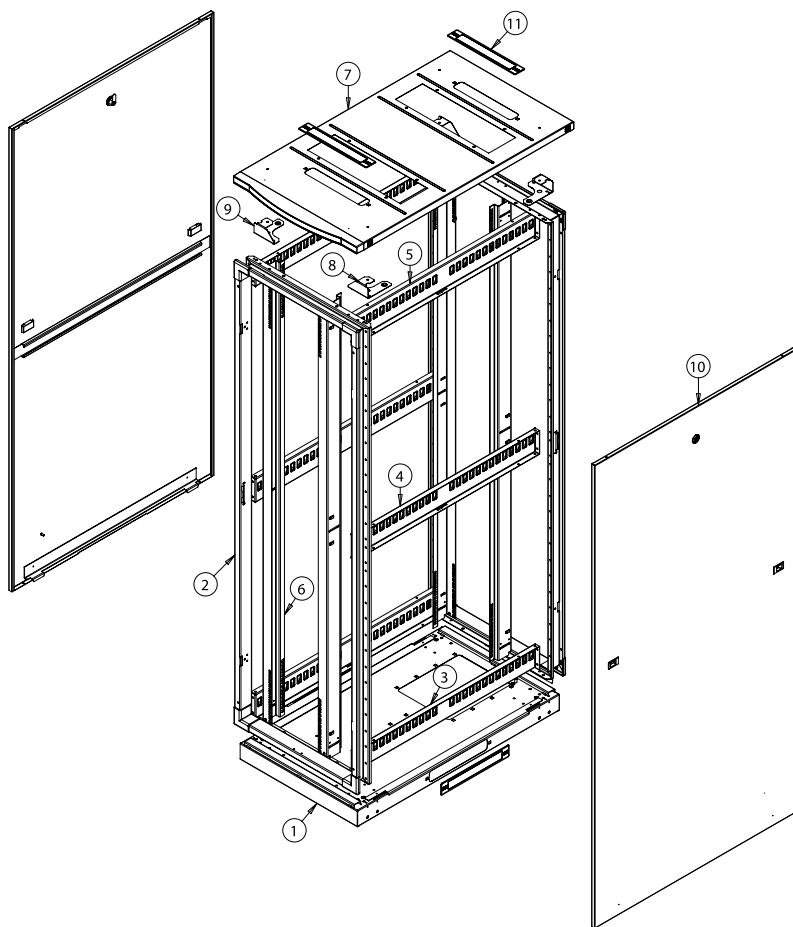
8000 Series has a large variety of doors and shelves. Some shelves are ventilated, some are of high load capacity, some are telescopic, and is capable of carrying up to 1000 Kg of dead weight.

8000 Series is a must buy for the most demanding world wide customers.

A Specifications

8000 Serie, Model No.	LP-R805XX
Standards Compliance	ANSI/EIA RS-310-D, IEC-60297-2.
Material (main)	* High grade rolled steel. * Thickness of Steel: mounting profile: 2.0 mm, others: 1.2 mm. * All materials comply to RoHS standard.
Cable entry	Adjustable.
Surface treatment	Surface: degreasing, acid pickling, phosphoric, dip-coat primed.
Surface finish	Static paint powder coat, Color: Low gloss Black.
Loading Capacity	Static loading: 1000 Kg.
Degree of protection	IP20
Castors and feet	Optional
Side panels	Removable and lockable.
Ventilation Fans	Optional
Doors	Optional
Accessories	Optional, Many available from LanPro.
Wire paths	On the top and bottom and can be closed.
Dimensions	Heights from 27 U, 39 U, 42 U, and 45 U, Depths from 600 mm, 800 mm, 900 mm, 1000 mm, width: 600 mm, (Frame to Frame = 580 mm).

B Expanded View



List of Parts (Basic Cabinet)		
Item Number	Title	Quantity
1	Plinth Assembly	1
2	Front/Rear Frame Assembly	2
3	Horizontal Mtg. Channel (Bottom)	2
4	Horizontal Mtg. Channel (Mid)	2
5	Horizontal Mtg. Channel (Top)	2
6	Vertical MTG. Channel	4
7	Vented Top Panel Curve Assembly	1
8	Top Corner Brkt. (R)	2
9	Top Corner Brkt. (L)	2
10	Side Panel Assembly	2
11	Cable Entry Cap (Plastic)	5

Recommended Options

- 1.- Casters - ease of mobility and final positioning.
- 2.- Leveling Feet - Stabilize and level the cabinet.
- 3.- Filler Panel/Fan Tray - close Top panel openings per your needs.
- 4.- Doors - please see doors section in the catalog or in the website.

C Dimensional Drawings

ServerRack

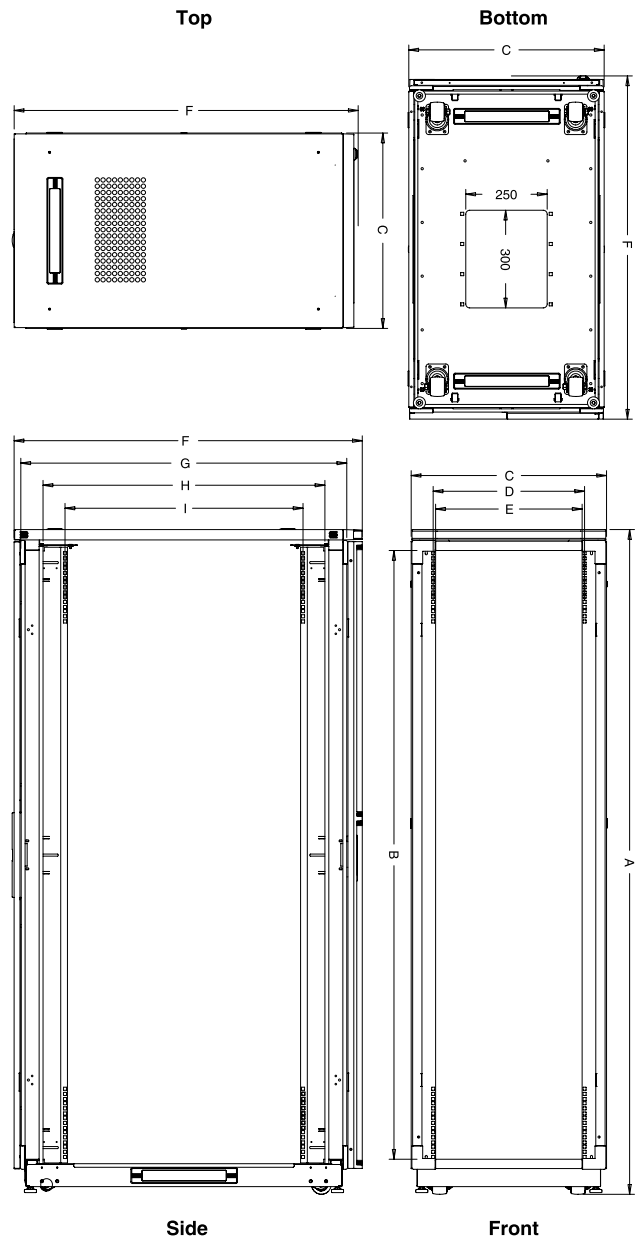
Internal Usable Height (mm)

UNIT REF.	A	B
27U	1375	1203
39U	1908	1736
42U	2042	1870
45U	2175	2003

600W	C	D	E
	600	465	450

Depth	F	G	H	I
600D	649	580	466	431
800D	869	800	666	531
900D	969	900	766	631
1000D	1069	1000	866	731

1U = 44.45mm / 1.75 in.



D How to Order

LP-R80506627	8000 Series Cabinet ServerRack, Depth: 600 mm, Width: 600 mm, Height: 27 U.
LP-R80508627	8000 Series Cabinet ServerRack, Depth: 800 mm, Width: 600 mm, Height: 27 U.
LP-R80509627	8000 Series Cabinet ServerRack, Depth: 900 mm, Width: 600 mm, Height: 27 U.
LP-R80510627	8000 Series Cabinet ServerRack, Depth: 1000 mm, Width: 600 mm, Height: 27 U.
LP-R80506639	8000 Series Cabinet ServerRack, Depth: 600 mm, Width: 600 mm, Height: 39 U.
LP-R80508639	8000 Series Cabinet ServerRack, Depth: 800 mm, Width: 600 mm, Height: 39 U.
LP-R80509639	8000 Series Cabinet ServerRack, Depth: 900 mm, Width: 600 mm, Height: 39 U.
LP-R80510639	8000 Series Cabinet ServerRack, Depth: 1000 mm, Width: 600 mm, Height: 39 U.
LP-R80506642	8000 Series Cabinet ServerRack, Depth: 600 mm, Width: 600 mm, Height: 42 U.
LP-R80508642	8000 Series Cabinet ServerRack, Depth: 800 mm, Width: 600 mm, Height: 42 U.
LP-R80509642	8000 Series Cabinet ServerRack, Depth: 900 mm, Width: 600 mm, Height: 42 U.
LP-R80510642	8000 Series Cabinet ServerRack, Depth: 1000 mm, Width: 600 mm, Height: 42 U.
LP-R80506645	8000 Series Cabinet ServerRack, Depth: 600 mm, Width: 600 mm, Height: 45 U.
LP-R80508645	8000 Series Cabinet ServerRack, Depth: 800 mm, Width: 600 mm, Height: 45 U.
LP-R80509645	8000 Series Cabinet ServerRack, Depth: 900 mm, Width: 600 mm, Height: 45 U.
LP-R80510645	8000 Series Cabinet ServerRack, Depth: 1000 mm, Width: 600 mm, Height: 45 U.

LanPro is continuously improving its products and reserves the right to change specifications and availability without prior notice.