

LP-R706XX NetworkRack Cabinets 7000 Series

LPR706XX_PFD_ENB02W

Features

- 800 mm wide rack.
- Capacity to mix different products and applications in the same rack.
- Can be customized to our client specifications in different colors and /or specific depths.
- Comes packaged in only 1/3 of assembled original volume when knock down.
- Easy to assemble, comes packaged in three (3) boxes only.
- High quality security locks.
- Shelves for different depths and loads are optionally available.
- Up to 800 kg of static load capable.
- Side panel available with locks without keys (Standard) or with keys for better security (Optional).
- Twelve (12) types of doors optionally available: Comes with Front Tempered Glass and Split Mesh in the back.
- Optimal Ventilation for applications in which active equipment are used.
- Comes with two ball bearing Fans in the 600 mm depth version and 4 fans in deeper versions.
- Heavy duty 250 Kg weight capacity ball bearing Casters, two (2) of them with security brakes.
- Fixing posts for securing the rack into position for permanent placement.
- Heights from 37U to 47U.
- Depths from 600mm to 1200mm for powerful modern servers and their cabling systems.
- High SPCC grade sheet steel.
- Phosphate primer and electrostatic powder painted for scratch resistance.
- Basic color is black. **Note:** Beginning 2023 metallic products can be supplied with ecofriendly and energy efficient ivory color. P/N will have IV suffix.
- Spares immediately available from our main offices.
- **Standards:** ANSI/EIA RS-310-D, IEC297-2, DIN41491 part I, DIN41494 part 7, GB/T347 as of 2-92.



LP-R706XX Gabinetes NetworkRack Serie 7000

The **LP-R706XX** NetworkRack Series of Cabinets opens new horizons in performance and value. Elegant looks, exquisite design with precise craftsmanship.

Designed to exceed the demanding requirements of the global 19" Rack market, our NetworkRack Series of Cabinets offer an excellent combination of quality, features, and cost effectiveness. Features such as enhanced thermal management, system expandability, multi-system compatibility, structural integrity, security and compliance to internationally recognized standards are joined together in a rack series which provides exceptional value for your investment.

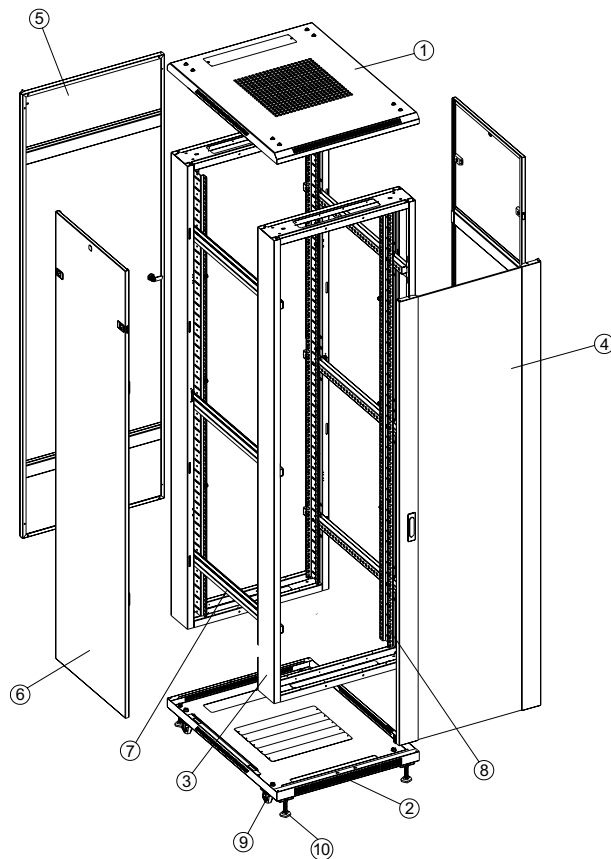
Our NetworkRack 7000 series of Cabinets offers an excellent combination of quality, features and cost-effectiveness. This series comes packaged in only 1/3 of assembled original volume when knock down comes in three (3) boxes for an easy assembly by the user and comes with an integrated Fan ventilation system. The 7000 series has a very robust structure, permitting heavy loads up to 800 Kg of network cabling and/or equipment in a self-contained cabinet.

A Specifications

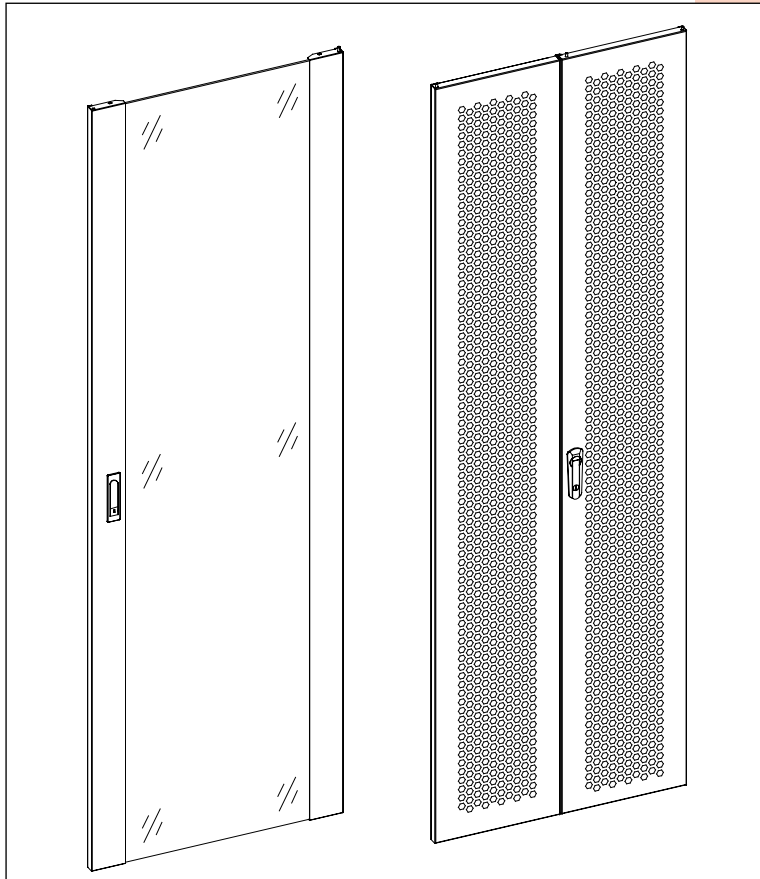
7000 Series Model LP-R706XX	
Standards Compliance	ANSI/EIA RS-310-D, IEC297-2, DIN41494 Part 1, DIN41494PART 7, GB/T3047, 2.92
Material (main)	<ul style="list-style-type: none"> • SPCC cold rolled steel. • Thickness of Steel: mounting profile: 2.0 mm, others: 1.2 mm.
Front Door	C Type tempered glass door with spring lock.
Rear Door	K type split vented rear door with Moon light lock.
Cable entry	Adjustable.
Surface treatment	Surface: degreasing, acid pickling, phosphoric, dip-coat primed.
Surface finish	Static paint powder coat, Color: Black.
Loading Capacity	Static loading: 800 Kg.
Degree of protection	IP20
Shipment packaging	3 Flat packs, reduces shipment cost.
Castors and feet	Included feet are adjustable, two free moving castors and two with brakes.
Air management	Comes with two ball bearing Fans in the 600 mm depth version and 4 fans in deeper versions.
Side panels	Removable.
Accessories	Many available from LanPro.
Base (Plinth)	Optional, it enables cabinet to stay in fixed position, meeting requirements of under-base cable entry/ventilation and prevention.
Wire paths	On the top and bottom and can be closed.
Dimensions	Heights from 37U to 47U, Depths from 600mm to 1200mm, width:800 mm.

B Expanded View (typical)

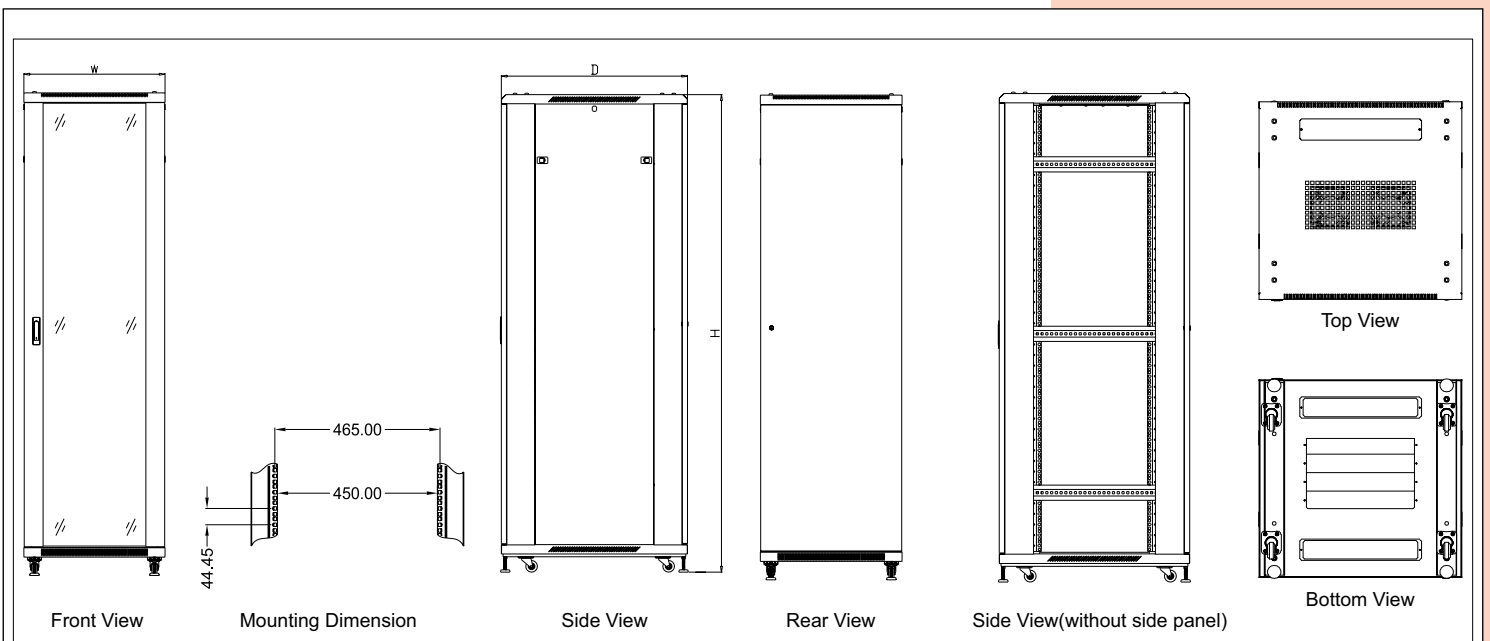
List of Parts		
No.	Title	Qty.
1	Top cover	1
2	Bottom panel	1
3	Door frame	2
4	Front door	1
5	Rear door	1
6	Side panel	2
7	Horizontal beam	6
8	Vertical rail	4
9	Caster (2) with brake	4
10	Leveling feet	4



C Standard Doors



D Main Dimensions (mm)



E How to order

Model Nro.	Descriptions	Capacity (U)	Width (mm)	Depth (mm)
LP-R70606837	NetworkRack Cabinet 7000 Series, Depth 600 mm, width: 800 mm, Height: 37U.	37	800	600
LP-R70608837	NetworkRack Cabinet 7000 Series, Depth 800 mm, width: 800 mm, Height: 37U.			800
LP-R70609837	NetworkRack Cabinet 7000 Series, Depth 900 mm, width: 800 mm, Height: 37U.			900
LP-R70610837	NetworkRack Cabinet 7000 Series, Depth 1000 mm, width: 800 mm, Height: 37U.			1000
LP-R70612837	NetworkRack Cabinet 7000 Series, Depth 1200 mm, width: 800 mm, Height: 37U.			1200
LP-R70606842	NetworkRack Cabinet 7000 Series, Depth 600 mm, width: 800 mm, Height: 42U.	42	800	600
LP-R70608842	NetworkRack Cabinet 7000 Series, Depth 800 mm, width: 800 mm, Height: 42U.			800
LP-R70609842	NetworkRack Cabinet 7000 Series, Depth 900 mm, width: 800 mm, Height: 42 U.			900
LP-R70610842	NetworkRack Cabinet 7000 Series, Depth 1000 mm, width: 800 mm, Height: 42U.			1000
LP-R70612842	NetworkRack Cabinet 7000 Series, Depth 1200 mm, width: 800 mm, Height: 42U.			1200
LP-R70606847	NetworkRack Cabinet 7000 Series, Depth 600 mm, width: 800 mm, Height: 47U.	47	800	600
LP-R70608847	NetworkRack Cabinet 7000 Series, Depth 800 mm, width: 800 mm, Height: 47U.			800
LP-R70609847	NetworkRack Cabinet 7000 Series, Depth 900 mm, width: 800 mm, Height: 47U.			900
LP-R70610847	NetworkRack Cabinet 7000 Series, Depth 1000 mm, width: 800 mm, Height: 47 U.			1000
LP-R70612847	NetworkRack Cabinet 7000 Series, Depth 1200 mm, width: 800 mm, Height: 47U.			1200

LanPro está mejorando sus productos continuamente y se reserva el derecho a cambiar las especificaciones y disponibilidad sin notificación previa.