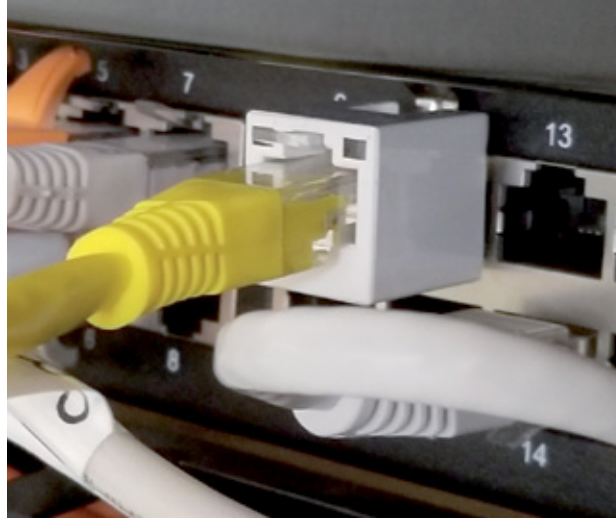


LP-PU07SPIR01 Indoor Plug type Male RJ45 / Female RJ45 Surge protector Device for Ethernet and PoE, Universal Series

LPPU07SPIR01_SS_ENB01W

Features

- Connection mode: Male RJ45 / Female RJ45
- Ports: 1
- Compliance: IEC6164321, UL497B, IEEE 802.3af PoE/802.3 at PoE Plus.



LP-PU07SPIR01

Indoor Plug type Male RJ45 / Female RJ45 Surge protector Device for Ethernet and PoE, Universal Series

LP-PU07SPIR01 RJ45 Series surge protective devices are applied to surge protection for data communication systems. **LP-PU07SPIR01** is connected in series in CAT 6 network cables, compatible with 100/1000M Ethernet systems, protecting the equipment which are connected to the network (e.g. computers, routers, PoE devices, etc.) against damages by overvoltage surge. (Standards compliance: IEC6164321, UL497B, IEEE 802.3af PoE/802.3 at PoE Plus).

A Connection Diagram

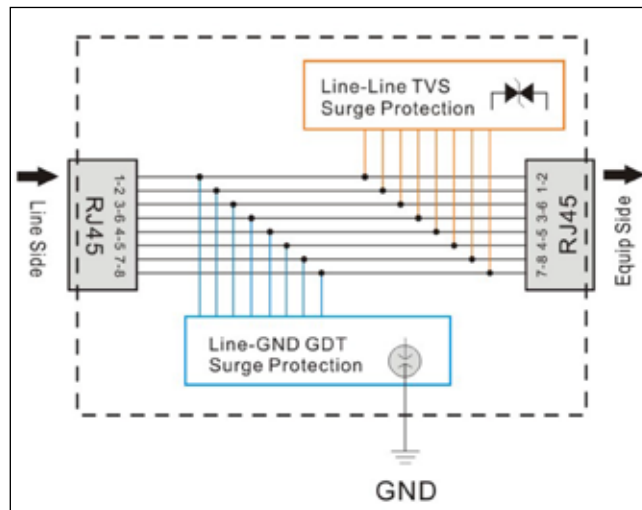


Figure 1

B Technical Data

Nominal operating voltage (Un)	5V(Ethernet)/48V(PoE)
Max. continuous operating voltage (UC)	8V(Ethernet)/60V(PoE)
Nominal Discharge Current (In @8/20µs)	400A (line to line)
Total Discharge Current (Imax @8/20µs)	5kA (line to GND)
Voltage protection level (Up @line-line)	45V @ 3kV (1.2/50)
Voltage protection level (Up @line GND/PE)	120V @ 3kV (1.2/50)
Max Line Current	600mA (PoE)
Data Rate	100/1000Mbps
Bandwidth (3dB) per pair	>250MHz
Insertion Loss	<0.5dB @100MHz
Pairs Protected	1-2,3-6,4-5,7-8
Protective Element	GDT, TVS
Response Time (tA)	<100ns (line GND/PE), <1ns (line-line)
Connection mode	Male RJ45 / Female RJ45
Temperature Range	40° to 176°F (40° to 80°C)
Relative Humidity	0% to 95% non condensing
Maximum Operating Altitude	10,000 feet (3000m)
Surge Life at 0.5kA (8/20µs)	>500 events
Net Weight Per Unit	(5g)
Package Dimension (W×D×H)	1.3"×0.7"×0.7" (33mm×17mm×17mm)

C Dimensions

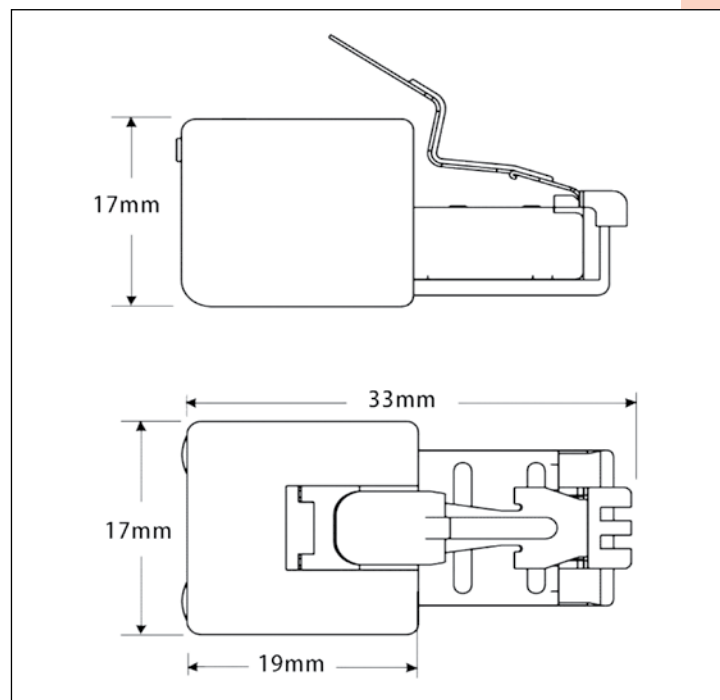


Figure 2

D Application

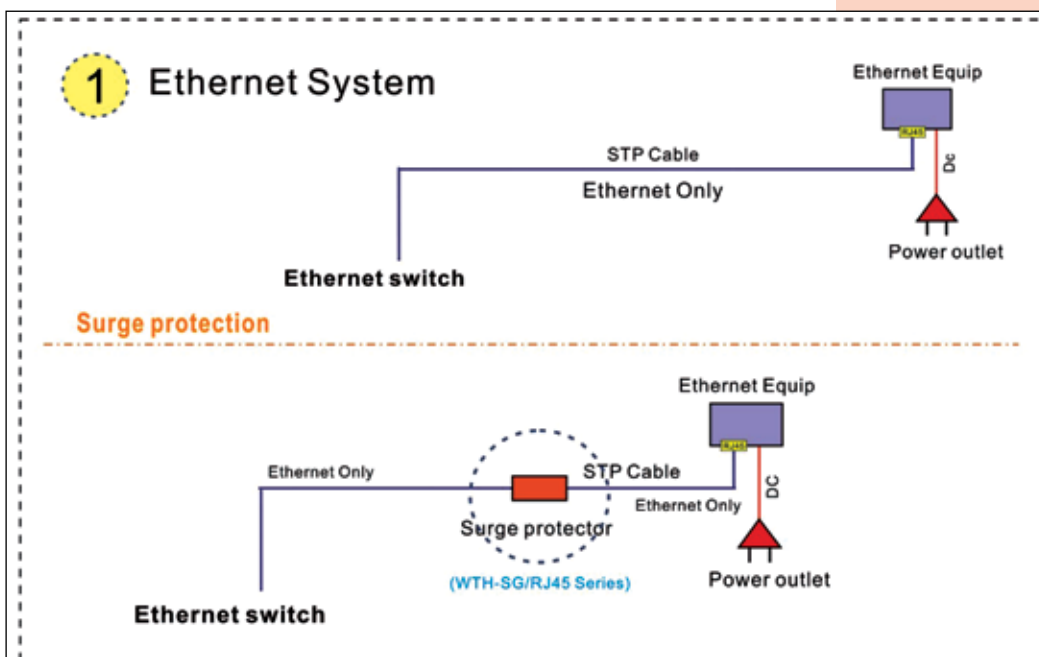


Figure 3

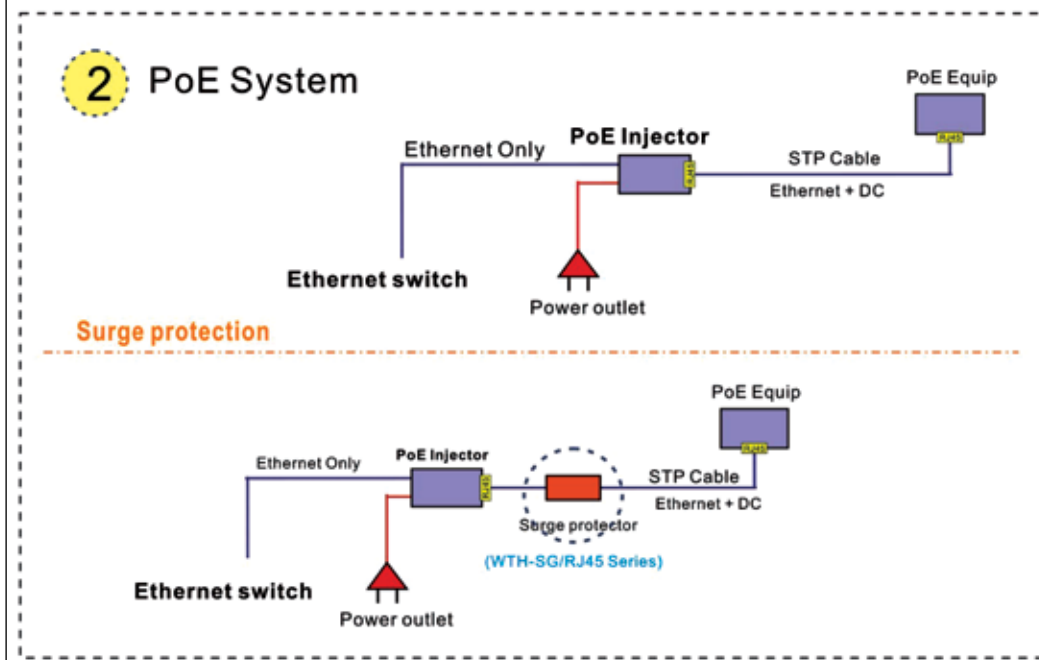


Figure 4

E How to order

LP-PU07SPIR01 Indoor Plug type Male RJ45 / Female RJ45 Surge protector Device for Ethernet and PoE, Universal Series.

LanPro is continuously improving its products and reserves the right to change specifications and availability without prior notice.