

LP-DU07SPIR01 Indoor Din mount RJ45 Surge protector Device for Ethernet and PoE, Universal Series with 1 port

LPDU07SPIR01_SS_ENB01W

Features

- Connection mode: RJ45
- Ports: 1
- Installation: Din Mount
- Compliance: IEC6164321, UL497B, IEEE 802.3af PoE/802.3 at PoE Plus



LP-DU07SPIR01

Indoor Din mount RJ45 Surge protector Device for Ethernet and PoE, Universal Series with 1 port

LP-DU07SPIR01 RJ45 Series surge protective devices are applied to surge protection for data communication systems. **LP-DU07SPIR01** is connected in series in CAT 6 network cables, compatible with 100/1000M Ethernet systems, protecting the equipment which are connected to the network (e.g. computers, routers, PoE devices, etc.) against damages by overvoltage surge. (Standards compliance: IEC6164321, UL497B, IEEE 802.3af PoE/802.3 at PoE Plus).

A Connection Diagram

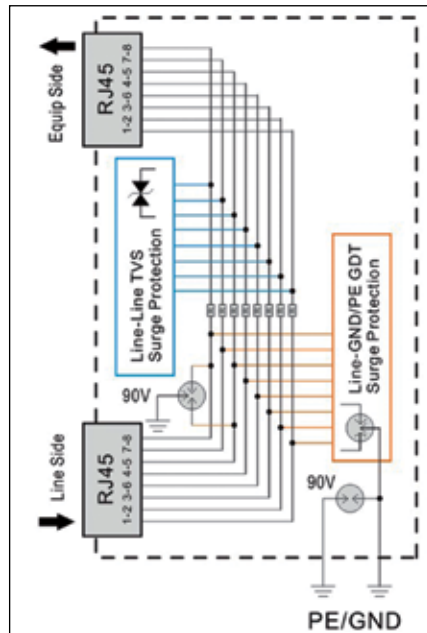


Figure 1

B Technical Data

Nominal operating voltage (Un)	2.8V(Ethernet)/48V(PoE)
Max. continuous operating voltage (UC)	3V(Ethernet)/60V(PoE)
Nominal Discharge Current (In @8/20µs)	3kA (line to line)
Max. Discharge Current (Imax @8/20µs)	20kA (line to GND/PE)
Voltage protection level (Up @line-line)	50V @ 3kV (1.2/50)
Voltage protection level (Up @line GND/PE)	700/800V @ 3kV (1.2/50)
Max Line Current	600mA (PoE)
Data Rate	100/1000Mbps
Bandwidth (3dB) per pair	>250MHz
Insertion Loss	<0.5dB @100MHz
Pairs Protected	1-2,3-6,4-5,7-8
Protective Element	GDT, TVS
Voltage Breakdown Range, Vdc @ 100 V/s	2.4-188 (LL) / 72-108(LG)
Impulse Voltage Range, Vdc @ 100 V/µs	<1000
Response Time (tA)	<100ns (line GND/PE), <1ns (line-line)
Connection mode	RJ45
Temperature Range	40° to 176°F (40° to 80°C)
Relative Humidity	0% to 95% non condensing
Maximum Operating Altitude	10,000 feet (3000m)
Cross sectional area of earth lead	3mm ² multi stranded / flexible
Stripping Length Contacts	0.25inches (67mm)
Terminal Screw Torque	Max. 0.25Nm
Protection Rating (IP Code)	IP 20
Surge Life at 0.5kA (8/20µs)	>2000 events
DIN Rail EN60715	35mm top-hat rail
Housing Material	Thermoplastic, UL94 V-0
Net Weight Per Unit	0.16Lb (71g)
Package Dimension (W×D×H)	0.9"×2.0"×3.1" (24mm×51mm×78mm)

C Dimensions

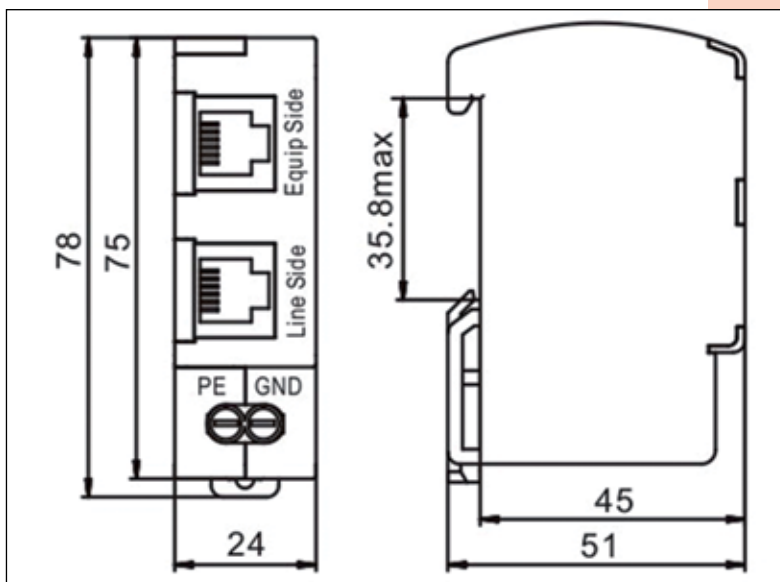


Figure 2

D 19" Rack Mounting Installation

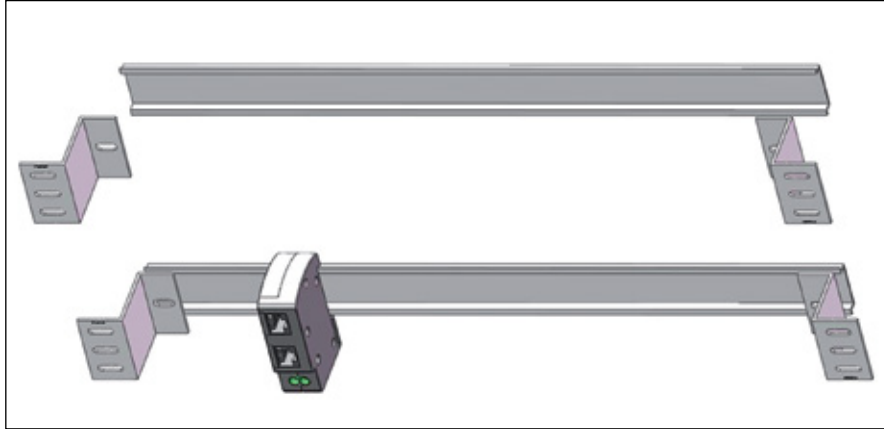


Figure 3

F Application

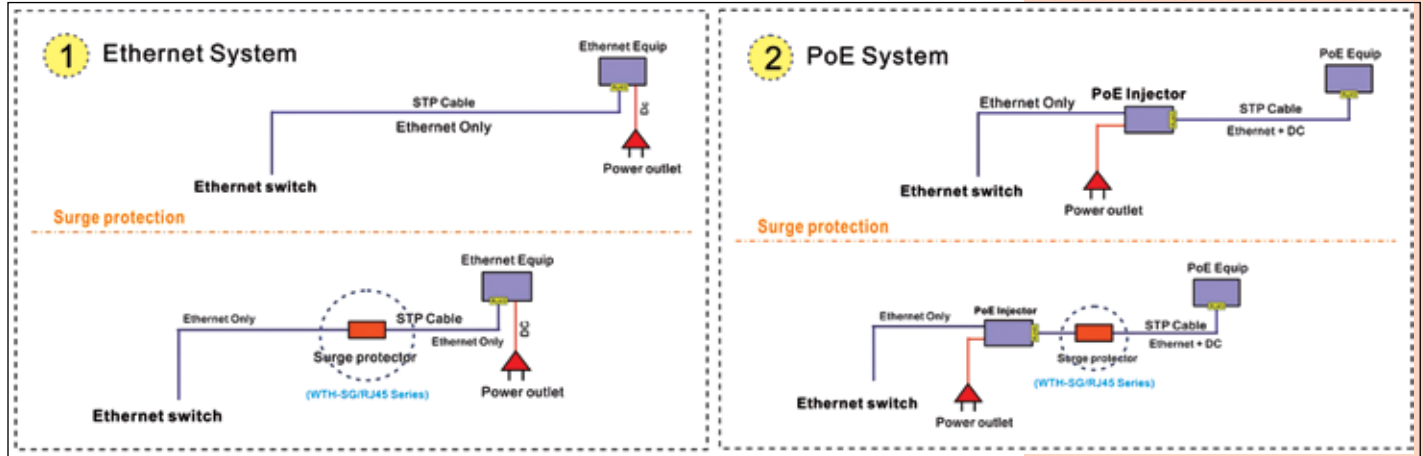


Figure 4

Figure 5

G How to order

LP-DU07SPIR01 Indoor Din mount RJ45 Surge protector Device for Ethernet and PoE, Universal Series with 1 port.

LanPro is continuously improving its products and reserves the right to change specifications and availability without prior notice.