

LP-AR8XX All Weather Outdoor Cabinets 8000 Series.

LPAR8XX_PFD_ENB01W

Features

- The cabinet is dustproof, sunproof and rainproof.
- Cabinet cooling: DC48V fans. MTBF≥50000h.
- The layout of the cabinet is reasonable, which will facilitate cable access, fixing and grounding. There are entrance holes individually for power cable, signal cable and optical cable.
- All the cables used in the cabinet are made from flame retardant materials.
- The cabinet includes grounding bar.
- Surface treatment: degreasing, derusting, rustproof phosphating (or galvanizing), powder coated.
- Cabinet load bearing: ≥600kg.
- Flame retardance: comply with GB5169.7 test A.
- Insulation resistance: the insulation resistance between grounding devices and cabinet body parts is not lower than 2X104M / 500V (DC).
- Withstand voltage: the withstand voltage between grounding devices and cabinet body parts is not lower than 3000V (DC)/1min.
- Mechanical strength: each surface can bear upright pressure >980N; after the door is open, its outer end can bear upright pressure >200N.



* Reference picture

8000 Series

LP-AR8XX All Weather Outdoor Cabinets 8000 Series.

The LP-AR8XX 8000 Series of All weather outdoor Cabinets are mainly used in wireless communication base station, such as 4G systems, communication/network integrated service, access/ transmission switching station, emergency communication/transmission etc.

These cabinets are designed to make the equipment have a longer working life and have more stable performance.



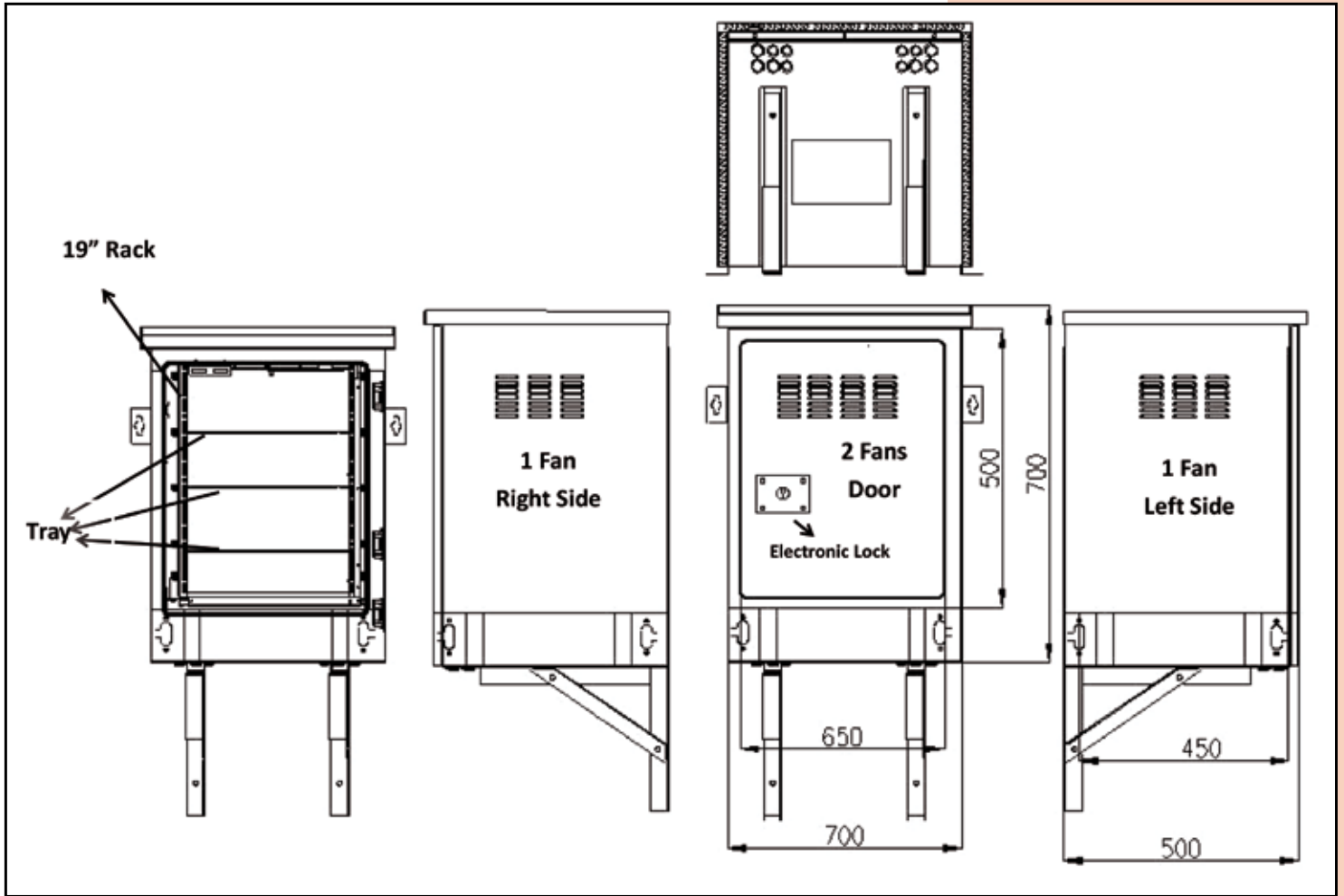
A Technical Features

- Cabinet enclosure designed for use in telecom applications.
- Rated: NEMA 4X (To comply with this regulation, the cabinet can not be offered with vents, ventilation, cooling fans, or any kind of louvres. No active equipment should be installed in hot weather).
- Exceeds anti-vandal specification IK10.
- 19" Standard rack mount system. No need for shelves if rack mount products are used.
Height is expressed in "U" units.
- It can be supplied sealed, with louvre vents or air conditioning if is necessary.
- A master key can be supplied the whole lot as per customer request.
- Include all the hardware necessary for pole installation.
- Double wall and insulation on the top section of the unit.
- Electronic lock (Optional)
- LED lamp (Optional)
- Basic one (1) year warranty on the product.

B Technical Parameters

ITEM	TYPE	TECHNICAL PARAMETER
Structure	Dimension	<ul style="list-style-type: none"> • Depth: 500mm to 1200mm • Width: 600mm to 1000mm • Height: 6U to 47U
	Layout	1 Compartment
	Equipment Installation Method	19" rack
	Door	With one front door, and electronic lock for outdoor cabinet
	Material	<ul style="list-style-type: none"> • Stainless steel • Aluminum • Galvanized steel with metallic electrostatic paint
	Heat Insulation	With heat insulation. (in various areas between the inner and the outer wall). The insulation material is 20 mm PEF. (Optional)
Temperature Control	Cooling	<ul style="list-style-type: none"> • Without cooling system • Fan cooling • Air conditioned
Lighting	LED lamp	48V LED lamp (Optional)
Temperature	Temperature	Working Temperature: -40°C ~ +55°C Storage Temperature: -50°C ~ +70°C Transport Temperature: -50°C ~ +70°C
Humidity	Relative Humidity	5% ~ 100%
Pressure	Air Pressure	62kpa ~ 101kpa (similar to 0m ~ 5000m altitude)
Radiation Intensity	Solar Radiation Intensity	1120 × (1±5%)W/m ²

C Expanded View (typical)



D How to order

LP-AR8TICMDDWHH

AR8	T
<p>AR8 All weather outdoor cabinets 8000 Series</p>	<p>Type</p> <p>1 - Wall Mounted 2 - Pole Mounted 3 - Floor Mounted 4 - Wall and Pole Mounted 5 - Wall and Floor Mounted 6 - Pole and Floor Mounted 7 - Wall, Pole and Floor Mounted</p>
I	C
<p>Thermal insulation</p> <p>1 - Without Thermal insulation 2 - Zoned thermal insulation (Double Wall)</p>	<p>Cooling</p> <p>1 - Without cooling system 2 - Fan cooling 3 - Air conditioned</p>
M	DD
<p>Material</p> <p>1 - Stainless Steel 2 - Aluminum 3 - Galvanized steel with metallic electrostatic paint</p>	<p>Depth: Depth/100 (XX means it suits all depths)</p> <p>05 - 500 to 550 mm 06 - 551 to 600mm 08 - 601 to 800mm 10 - 800 to 1000mm 12 - 1001 to 1200mm</p> <p>Note: The depth of the cabinets depends on the manufacturing process, the metal selected and the kind of insulation selected. Inner and outer depth is different. This depth scale is a usable range for the whole family.</p>
W	HH
<p>Width: Width/100</p> <p>6 - 600 to 700mm 7 - 701 to 800mm 8 - 801 to 900mm 9 - 901 to 1000mm</p> <p>Note: The width of the cabinets depend on the single or double wall option, metal type selected by customer and other factors. This is a range usable for the whole family. The standard 19" rack width is always available inside the units.</p>	<p>Height (Rack units)</p> <p>06 - 6U 09 - 9U 12 - 12U 15 - 15U 16 - 16U 18 - 18U 22 - 22U 27 - 27U 32 - 32U 37 - 37U 42 - 42U 47 - 47U</p>

Example:

<p>LP-AR8722105616 All weather Outdoor Cabinet 8000 Series, for wall, floor and pole mounted, fan cooling, Stainless steel, Depth: 500 to 550mm, Width: 600 to 700 mm, Height: 16U.</p>
<p>LP-AR8323308742 All weather Outdoor Cabinet 8000 Series, floor mounted, IP55, thermal insulation (double wall), air conditioned, galvanized steel with metallic electrostatic paint, External Dimension: 2100mm, Depth: 800mm, Width: 800 mm, Height: 42U.</p>

Diverse models and designs according to customer needs.



LanPro is continuously improving its products and reserves the right to change specifications and availability without prior notice.