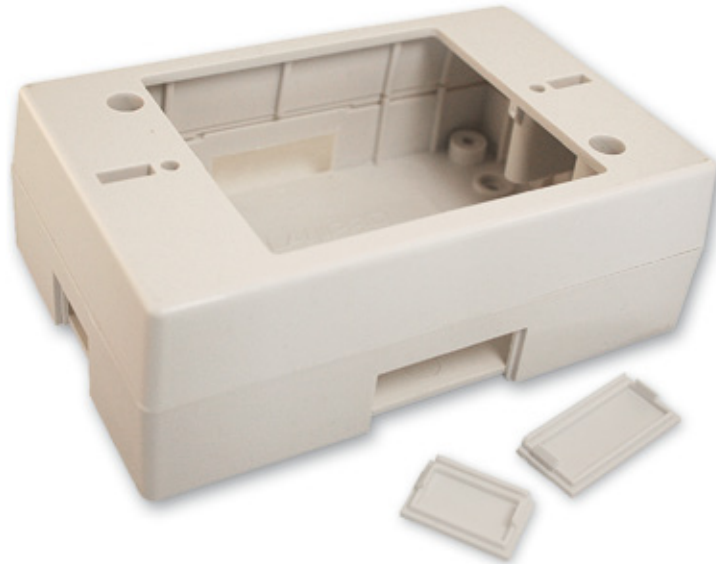


LP-318W Surface Mount Box for USA Style Faceplates.

LP318W_SS_ENB01W

Features

- Material: ABS UL 94V-0.
- Dimensions:
Height: 124.6 mm
Width: 81.2 mm
Depth: 41.9 mm
- Color: Oyster white.
- Surface finish: Non-porous, impact resistant.
- Very strong construction. Able to take use and abuse for many years.
- Low profile, non-intrusive design.
- It will not fade or crack under sunlight.



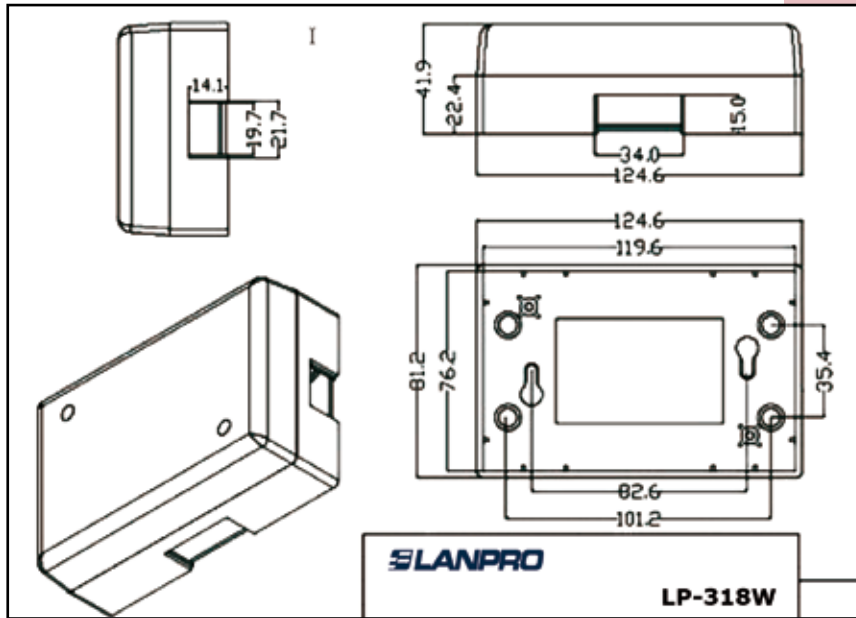
LP-318W Surface Mount Box for USA Style Faceplates.

The LanPro LP-318W Surface Mount Box is the answer to installations where the outlet cannot be recessed into the floor or wall box.

It has compatible dimensions with other brand faceplates and wall boxes. Standard color is oyster white (not snow white or beige). It is easy to clean, with a non-porous surface, and impact resistant. It fits LanPro raceways as well as other brands ones.

The LP-318W has an important advantage over traditional boxes from recognized competitors: it has replaceable recessed notches. Cutters, knives, or pliers are not needed to puncture the raceways entries. Some finger pressure exerted from the inside of the box and you get the perfect opening for the LanPro raceway that has been chosen.

A Dimensional Drawing



B How to order

LP-318W Surface Mount Box for USA Style Faceplates.