

LP-SW902FGP 9 port Midspan PoE Ethernet Switch with 8x10/100M PoE ports plus 1x10/100/1000M copper port interchangeable with 1x SFP Gigabit port.

LPSW902FGP_SS_ENB01W

Features

- Eight (8) 10/100Mbps Auto-negotiation Fast Ethernet RJ-45 ports with IEEE 802.3af PoE function (Ports 1-8).
- One (1) 10/100/1000M copper RJ-45 Port logically interchangeable with (1) 10/100/1000M SFP Optical Port for Workgroup and Department.
- Compliant with the IEEE802.3af standard for the sum of all the PoE ports up to 112 W.
- Supports PoE IEEE 802.3af Powered Devices (PD) in the 10/100M ports.
- Each port supports auto MDI/MDIX, so there is no need to use cross-over cables.
- Full and Half duplex transfer mode for each port.
- Wire-Speed reception and transmission.
- Up to 4K Unicast address entities per device.
- Self-Learning and automatic Table Aging.
- 2.75 MB of RAM packet buffer.



LP-SW902FGP
9 port Midspan PoE Ethernet Switch with
8x10/100M PoE ports plus 1x10/100/1000M
copper port interchangeable with 1x SFP
Gigabit port.

The **LP-SW902FGP** 9 port Midspan PoE Ethernet Switch with 8x10/100M PoE ports plus 1x10/100/1000M copper port interchangeable with 1x SFP Gigabit port, is an unmanaged 10/100M Ethernet PoE switch designed to enhance workgroup performance while providing a high level of flexibility.

The **LP-SW902FGP** provides 8 x 10/100M ports serving also as 8 x IEEE802.3af Power over Ethernet (PoE) ports for workstation, plus 1 copper 10/100/1000M port or 1 Gigabit SFP port for workgroup and departments.

The **LP-SW902FGP** is a **Power Source Equipment (PSE)** and fully compatible with **Powered Devices (PD)** that comply with the IEEE 802.3af PoE standard and no configuration is required and its installation is quick and easy. Support for Auto - MDI / MDI-X on all of the ports eliminates the need for crossover connection to another switch or HUB.

Auto-Negotiation on each port senses the link speed of a network device (either 10 or 100) and intelligently adjusts for compatibility and optimal performance.

1-Year Limited Warranty for switch and 1-Year Limited Warranty for the power adaptor is our standard Limited Warranty.

A Power Over Ethernet (PoE)

Power over Ethernet (PoE) integrates 48V power and data onto one single cable, eliminating the need to have AC power available at all equipment locations. Power and Data are integrated onto the same cable, supporting category 5/5e/6/6A up to 100 Meters. PoE provides power to PoE compatible devices, such as VOIP telephones, wireless LAN access points, and IP security cameras.

PoE devices are readily in the market, saving up to 50% of overall installation cost by eliminating the need to install separate local electrical wiring and power outlets to the powered devices.

B Applications

The **LP-SW902FGP** enables users to attach IEEE802.3af compliant devices such as wireless Access Points (AP's), VOIP phones, IP video surveillance cameras, printers and Network Attached Storage (NAS) directly to the 9 -port Ethernet PoE Switch without requiring additional power on the network.

The unit was designed with home and small business users in mind and is ideal for installations where AC power is not available or cost-effective to install.

This device is designed for indoor use. Do not use outdoors.

Important Note.

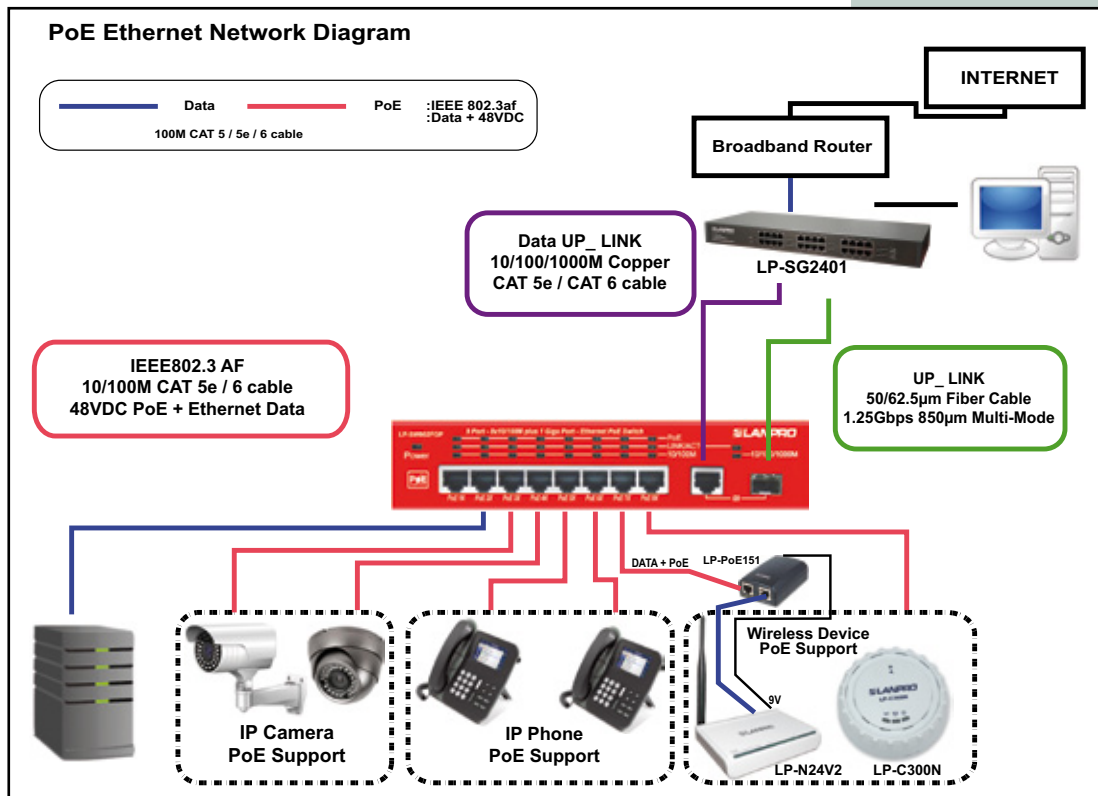
The LP-SW902FGP has a Safety Operating Area (SOA) with a linear de-rate after 30°C from 112 W to 0W at 40°C. This means you can operate it at the maximum power of 112W as the sum of all the outputs from 0°C to 30°C and linearly reduce the power supplied to 0°W at 40 °C to operate it safely. E.G.: if you operate it at 35°C of ambient temperature, there will be only 56W available as the sum of all the outputs.

C Technical Specifications

LP-SW902FGP	9 port Midspan PoE Ethernet Switch with 8x10/100M PoE ports plus 1x10/100/1000M copper port interchangeable with 1x SFP Gigabit port.
Standards	IEEE 802.3 10BASE-T Ethernet IEEE 802.3u 100BASE-TX Fast Ethernet IEEE 802.3ab 1000BASE-T Gigabit Ethernet (Twisted-Pair Copper) IEEE 802.3x Full Duplex Flow control IEEE 802.3af 15.4W Power over Ethernet
Protocol	CSMA/CD
Data Transfer Rate	Ethernet 10M (half Duplex), 20 M (full Duplex). Fast Ethernet: 100M (Half Duplex), 200M (Full Duplex). Gigabit Ethernet: 200M (Full Duplex).
Network Cables	10BASE-T: 2 pair UTP CAT 3, 4, 5 up to 100 meters 100BASE-T: 2 pair UTP CAT 5, 5e up to 100 meters 1000BASE-T: 4 pair UTP CAT 5e, 6, 6A up to 100 meters (LC connector) 9/125 μm Single-Mode or 50/125 μm, 62.5/125μm Multi-Mode duplex fiber Cable.
Number of Ports	8 x 10/100M auto- MDIX RJ-45 ports with 8 PoE Enabled Ports
PoE Power on RJ-45 ports	Power+: pins 3&4, -:1&2
AC to DC Power Supply	Input:110VAC-240VAC, 50Hz-60Hz. Output: 48VDC/2.5A
Power Consumption	8 Watt (No PoE PD's connected)

Total PoE ports power sum	112 Watt max.	
PoE Power limit per port	15.4W max.	
Temperature	Operation	0°C to 40°C
	Storage	-10°C to 70°C
Relative Humidity	5% to 95% without condensation	
Dimensions (mm)	210x170x45	
EMI	FCC Class B, CE Mark Class B	
Safety	100VAC to 240VAC Power Supply Listed	
RAM Buffer	2.75MB per device	
Filtering Address Table	4K entries per device	
Packet Filtering Forwarding Rate	10M Ethernet: 14,880pps 100M Ethernet: 148,880pps 1000M Ethernet: 1,488,000pps	
MAC address learning	Automatic Update	
Transmission Method	Store-and-forward	
LED Indicators	Per Port: 10/100/1000M, Link / ACT, PoE Act / Status. Per Unit: Power	
Installation manual	Included	
Warranty	1 Year	

D Connecting Ethernet Cables and Fiber Cable



E How to Order

LP-SW902FGP 9 port Midspan PoE Ethernet Switch with 8x10/100M PoE ports plus 1x10/100/1000M copper port interchangeable with 1x SFP Gigabit port.

LanPro is continuously improving its products and reserves the right to change specifications and availability without prior notice.