

# Splitter PoE LP-Poe151

**Compatible with the  
Standard 802.3af**



The LP-Poe151 PoE Splitter is designed to supply operational power to surveillance cameras and wireless LAN devices such as access points, bridges and routers. It enable power current to travel on the Ethernet network cable, thus eliminates the need to directly connect a power supply to the wireless LAN device. It can be utilized to support voltage from 18V to 55V or comply with 802.3af standard by switch.

## 1 Technical Specifications

### Category 5 Pin Power Usage

Data: pins 1&2, 3&6

Power: pins 4&5, 7&8

### Ethernet Cable

Data rate: 10/100Mbps

TIA/EIA 568B-2

Connector: RJ-45

### Dimensions

76 x 52.5 x 28 mm

### Operating Temperature

0°C to 50°C

### Storage Temperature

-40°C to 70°C

### Operating Humidity

10% to 80% RH

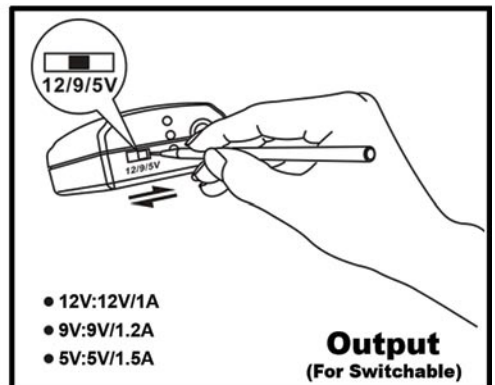
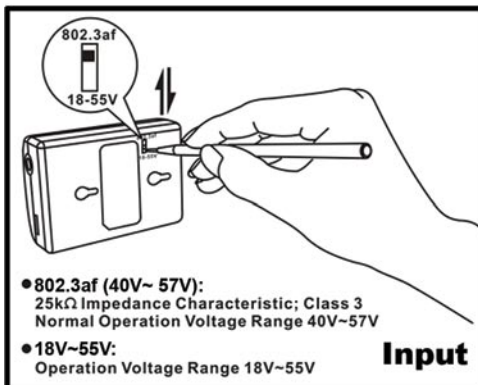
### Storage Humidity

5% to 90% RH

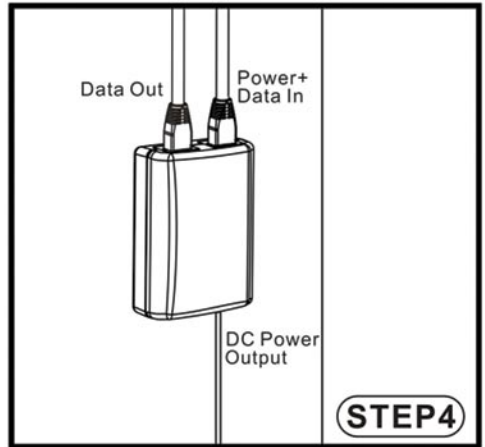
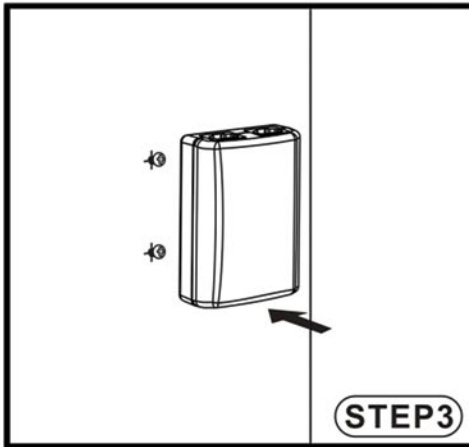
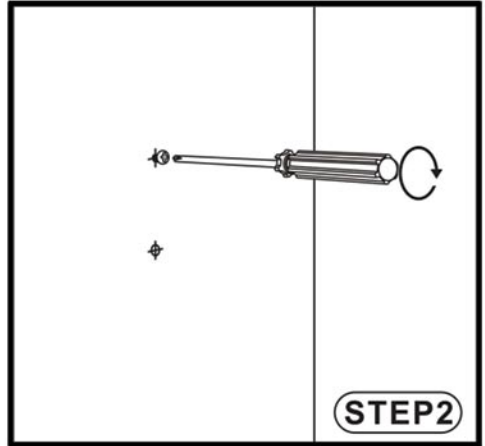
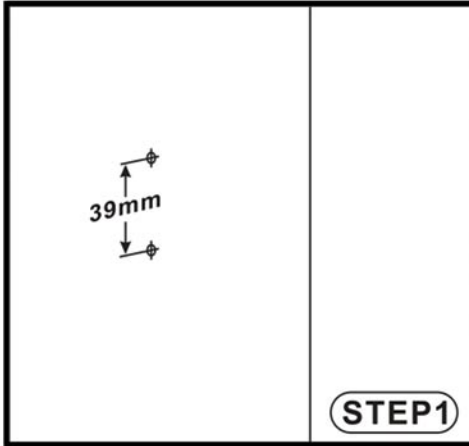
### EMI Certification

CE Class B

## 2 How to Select:



**3 Installation Step:**



**3 Installation:**

