

LP-PSU240DIN**240W Power supply full range AC input from 90V AC to 264V AC for DIN Rail**

LPPSU240DIN_SS_ENB01W

Features

- DC O/P voltage Adjustable.
- Universal AC input 90-264V.
- Protection: Short Circuit/ Overload/Over voltage/ Over temperature.
- Free air convection design.
- Installation: DIN Rail.
- With build-in active PFC function.



LP-PSU240DIN
240W Power supply full range AC input from 90V AC
to 264V AC for DIN Rail

LanPro's metal case power family designed with slim plastic housing and for full range AC input from 90V AC to 264 AC.

The series are single phase PSU, providing adjustable DC output voltage. They have high efficiency and operate in wide temperature range

The series can widely use for industrial automation & control systems, varied equipment, etc.

A Specifications

Input	
Voltage range	90~264VAC, 127~370DC (DC input by connecting AC/L+, AC/N-)
Frequency range	50~60Hz
Power factor (Typ.)	>0.98/115 VAC at full load >0.95/230 VAC at full load
Efficiency (Typ.)	88.5%
AC Current (Typ.)	2.5A/115VAC 1.3A/230VAC
Inrush Current (Typ.)	20A/115VAC 35A/230VAC
Leakage Current	<1mA/240VAC
Output	
Ripple & Noise (max.)	150m Vp-p
Voltage tolerance	±2.0%
Line regulation	±0.5%
Load Regulation	±1.0%
Setup, rise time	1500ms/100ms (115V/60Hz full load) 3000ms/100ms (230V/50Hz full load)
Hold up time(Typ.)	22ms (230V/50Hz full load) 28ms (115V/60Hz full load)
Protection	
Over Load	105 ~130% rated output power recovers automatically after fault condition is removed
Over Voltage	29~33V Protection type: Shut down o/p voltage, re-power on to recover
Over temperature	Shut down o/p voltage, re-power on to recover
Environment	
Working temperature	-20~+70°C (Refer to "Derating Curve")
Working humidity	20~95% RH Non-Condensing
Storage temperature	-40~+85°C, 10~95% RH
Storage humidity	10~95% RH
MTBF	200.000 hour minimum at full load at 25°C ambient
Safety & EMC (Note 4)	
Safety standards	UL 508, BS/EN62368-1
Withstand voltage	I/P-O/P3KVAC I/P-FG:2KVAC O/P-FG:0.5KVAC
Isolation Resistance	I/P-O/P, I/P-FG, O/P-FG:>100M Ohms / 500VDC/25°C/70%RH
EMC Emission	Compliance to BS EN/EN55032, BS EN/EN61000-3-2-3
EMC Immunity	Compliance to BS EN/EN61000-4-2,3,4,5,6,8,11, BS EN/EN55024, BS EN/EN61000-6-2 (BS EN/EN50082-2), BS EN/EN612204-3 heavy industry level

Dimensions & Weight	
Length	63mm/2.48in
Width	125mm/4.92in
Height	113.5mm/4.47in
Weight	1kg
Packing	
Carton size	52.5 x 33 x 17.5 cm 20.67 x 12.99 x 6.9 in
Master carton quantities	10pcs/carton

Notes:

- All parameters not specially mentioned at 230 VAC input, rated load and 25°C of ambient temperature
- Ripple & Noise are measured from peak to peak with band width limit of 20MHz (0.1uF and 47uF/50V parallel capacitor under DC output full load, AC nominal input 25°C ambient temperature)
- Installation clearances: top with 40mm, bottom with 20mm, left and right with 5mm. Increase the space to 10-15mm when the adjacent device is heating source.
- Derating may be needed under low input voltage. Please check the derating curve for more details.
- Efficiency test after 30 min. of burn-in.
- The ambient temperature derating of 3.5°C/1000m for operating altitude higher than 2000m (6500ft)

B Mechanical specification

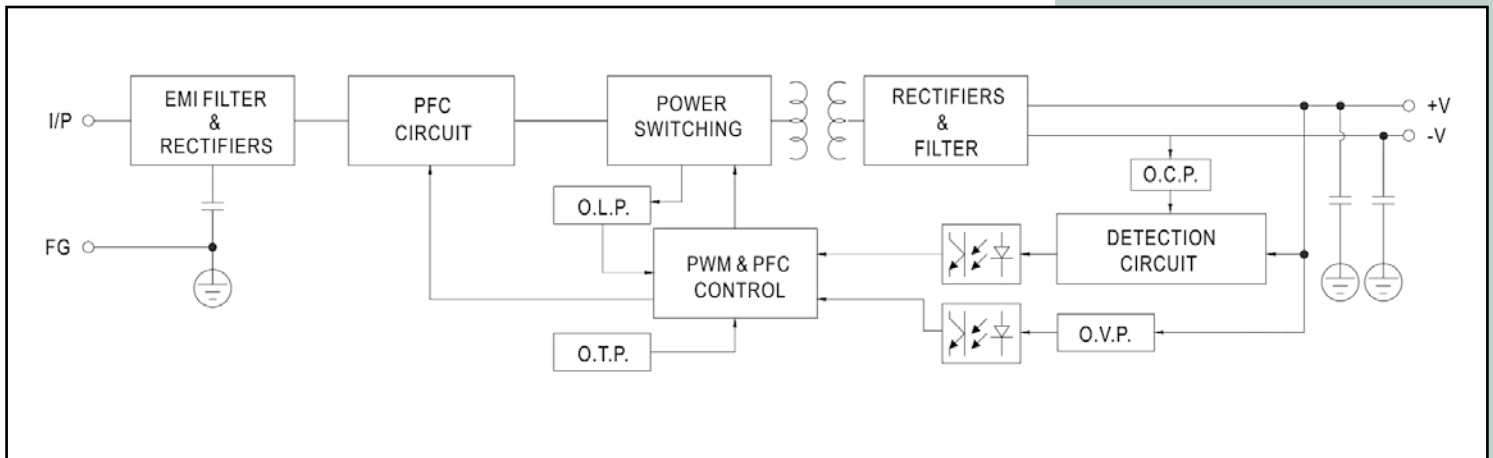
Input

Pin No.	Description
1	FG ⊕
2	AC/N or DC -
3	AC/L or DC +

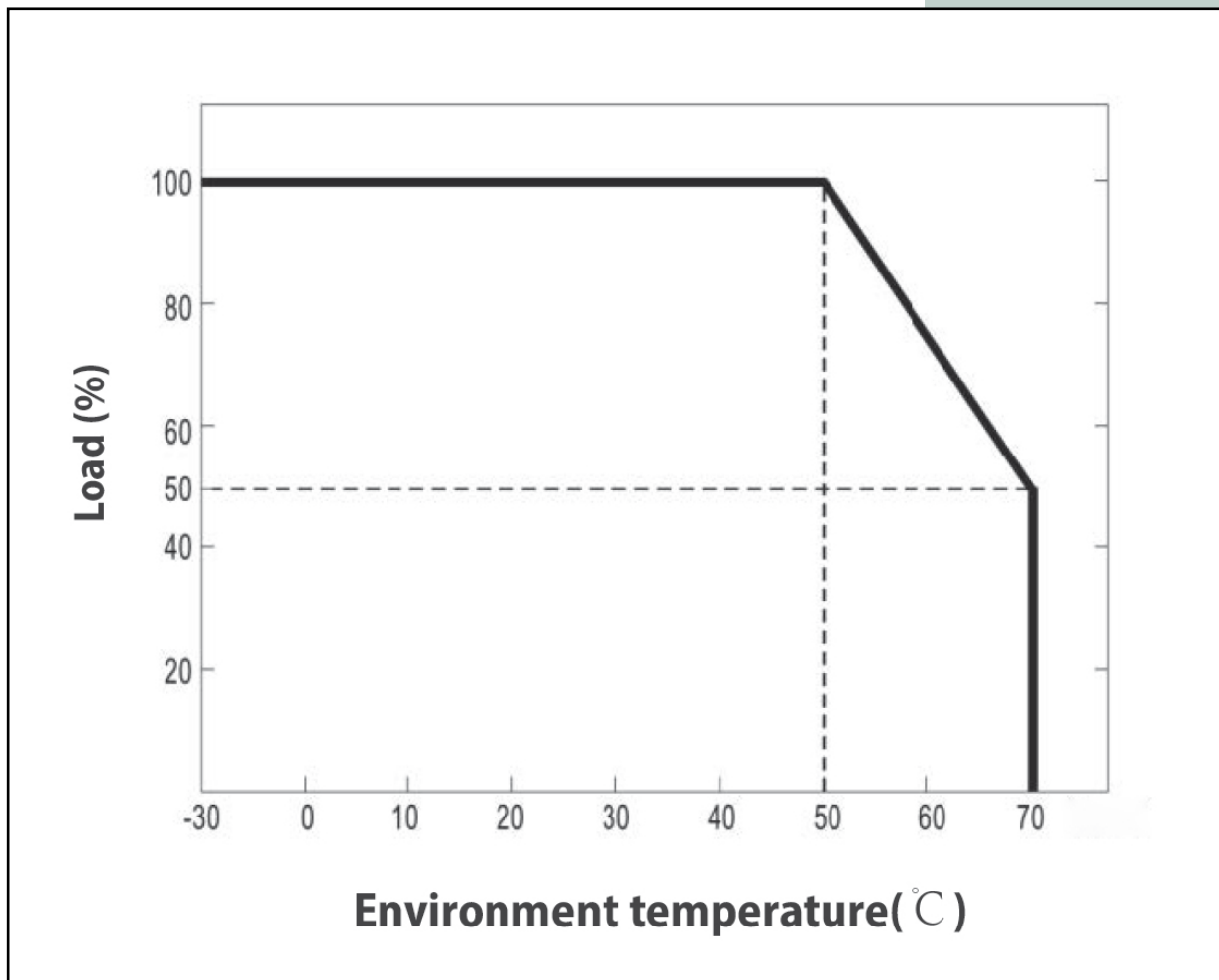
Output

Pin No.	Description
1,2	DC OUTPUT -V
3,4	DC OUTPUT+V

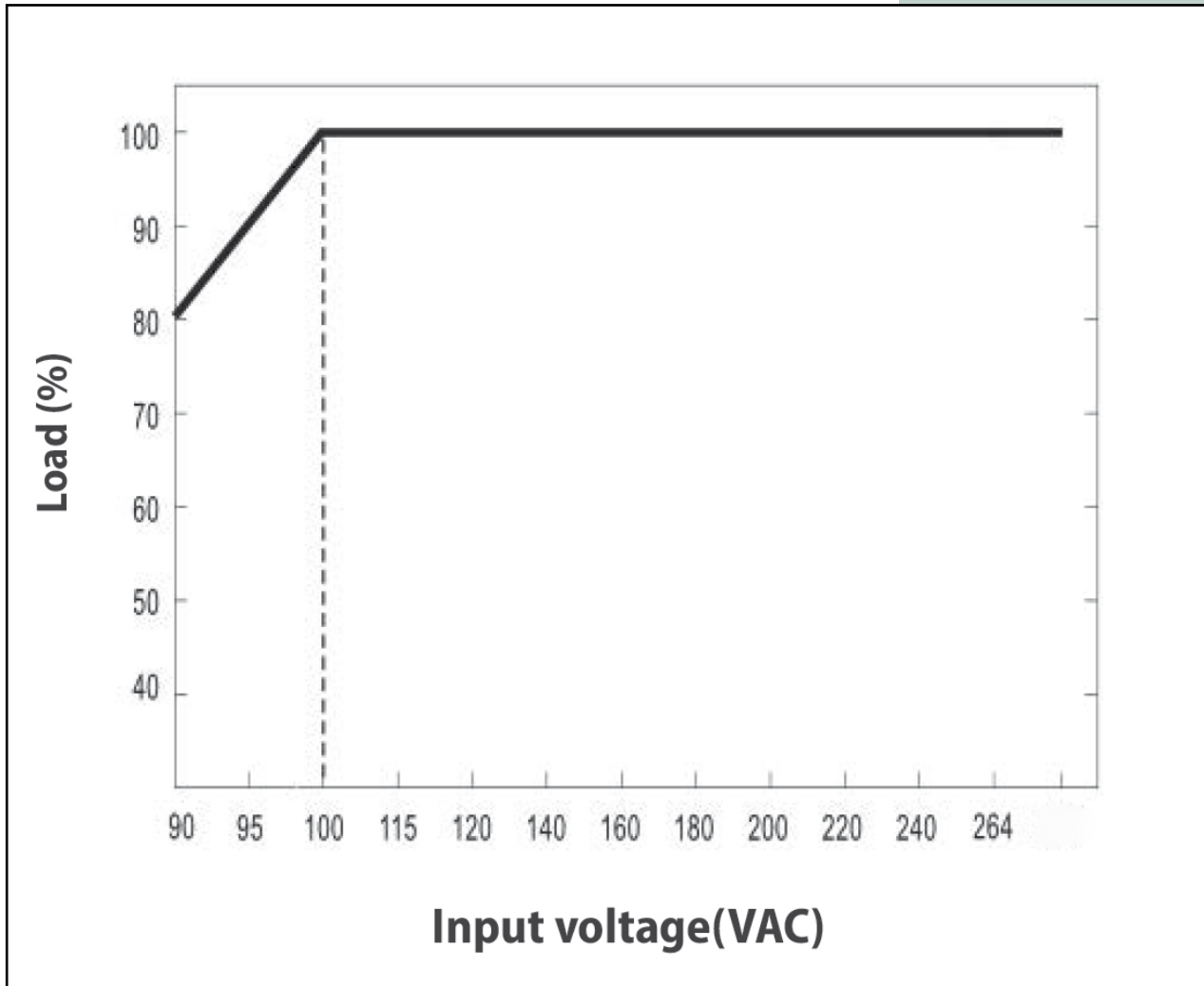
C Block Diagram



D Deduction curve and temperature



E Minus Output and Input voltage curves



F How to Order

LP-PSU240DIN 240W Power supply full range AC input from 90V AC to 264V AC for DIN Rail