

**LP-PSU150DIN****150W Power supply full range AC input from 90V AC to 264V AC for DIN Rail**

LPPSU150DIN\_SS\_ENB01W

**Features**

- DC O/P voltage Adjustable
- Universal AC input 90-264V
- Protection: Short Circuit/ Overload/Over voltage/ Over temperature
- Free air convection design
- Installation: DIN Rail



**LP-PSU150DIN**  
**150W Power supply full range AC input from 90V AC**  
**to 264V AC for DIN Rail**

LanPro's metal case power family designed with slim plastic housing and for full range AC input from 90V AC to 264 AC.

The series are single phase PSU, providing adjustable DC output voltage. They have high efficiency and operate in wide temperature range

The series can widely use for industrial automation & control systems, varied equipment, etc.

## A Specifications

Input	
Voltage range	90~264VAC, 127~370DC (DC input by connecting AC/L+, AC/N-)
Frequency range	47~63Hz
Efficiency (Typ.)	85.5%
AC Current (Typ.)	2.25A/115VAC 1.3A/230VAC
Inrush Current (Typ.)	47.8A/115VAC 92.5A/230VAC
Leakage Current	<1mA/240VAC
Output	
Ripple & Noise (max.)	100m Vp-p
Voltage tolerance	±2.0%
Line regulation	±0.5%
Load Regulation	±1.0%
Setup, rise time	1200ms, 60ms/230VAC at full load 2500ms, 60ms/115VAC at full load
Protection	
Over Load	105 ~130% rated output power Protection type: Constant current limiting, recovers automatically after fault condition is removed
Over Voltage	14~17V Protection type: Shut down o/p voltage, re-power on to recover
Over temperature	Shut down o/p voltage, re-power on to recover
Environment	
Working temperature	-20~+70°C (Refer to "Derating Curve")
Working humidity	20~95% RH Non-Condensing
Storage temperature	-40~+85°C, 10~95% RH
Storage humidity	10~95% RH
MTBF	200.000 hour minimum at full load at 25°C ambient
Safety & EMC (Note 4)	
Safety standards	UL 508, BS/EN62368-1
Withstand voltage	I/P-O/P3KVAC I/P-FG:2KVAC O/P-FG:0.5KVAC
Isolation Resistance	I/P-O/P, I/P-FG, O/P-FG:>100M Ohms / 500VDC/25°C/70%RH
EMC Emission	Compliance to BS EN/EN55032, BS EN/EN61000-3-2-3
EMC Immunity	Compliance to BS EN/EN61000-4-2,3,4,5,6,8,11, BS EN/EN55035, BS EN/EN61000-6-2 (BS EN/EN50082-2)

Dimensions & Weight	
Length	40mm/1.57in
Width	125mm/4.92in
Height	113mm/4.45in
Weight	0.6kg
Packing	
Carton size	31.5 x 30 x 30 cm 12.4 x 11.8 x 11.81 in
Master carton quantities	20pcs/carton

**Notes:**

- All parameters not specially mentioned at 230 VAC input, rated load and 25°C of ambient temperature
- Ripple & Noise are measured from peak to peak with band width limit of 20MHz (0.1uF and 47uF/50V parallel capacitor under DC output full load, AC nominal input 25°C ambient temperature)
- Installation clearances: top with 40mm, bottom with 20mm, left and right with 5mm. Increase the space to 10-15mm when the adjacent device is heating source.
- Derating may be needed under low input voltage. Please check the derating curve for more details.
- Efficiency test after 30 min. of burn-in.
- The ambient temperature derating of 3.5°C/1000m for operating altitude higher than 2000m (6500ft).

**B Mechanical specification**

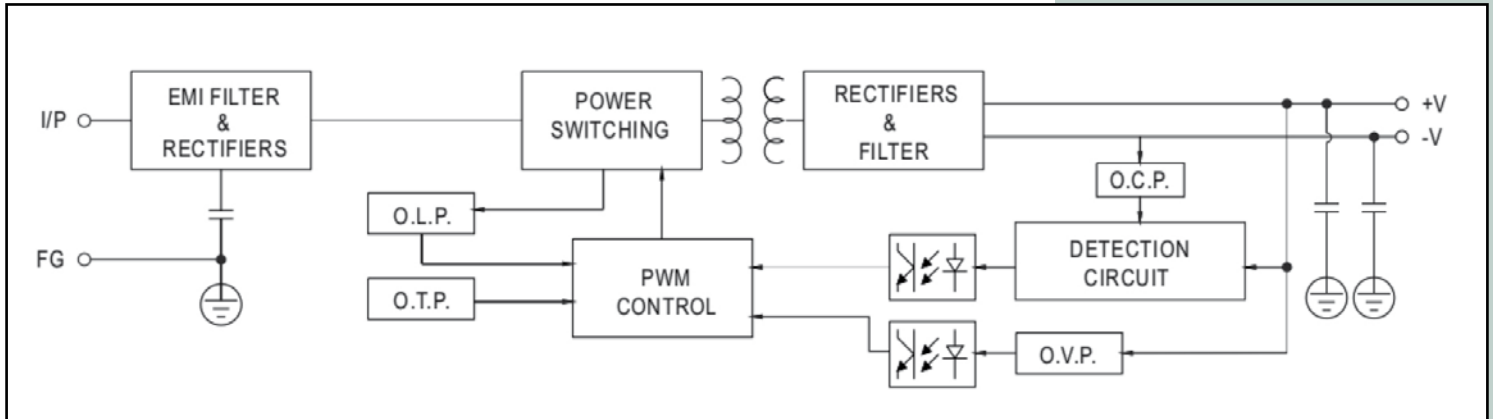
Input

No.	Description
1	FG ⊕
2	AC/N
3	AC/L

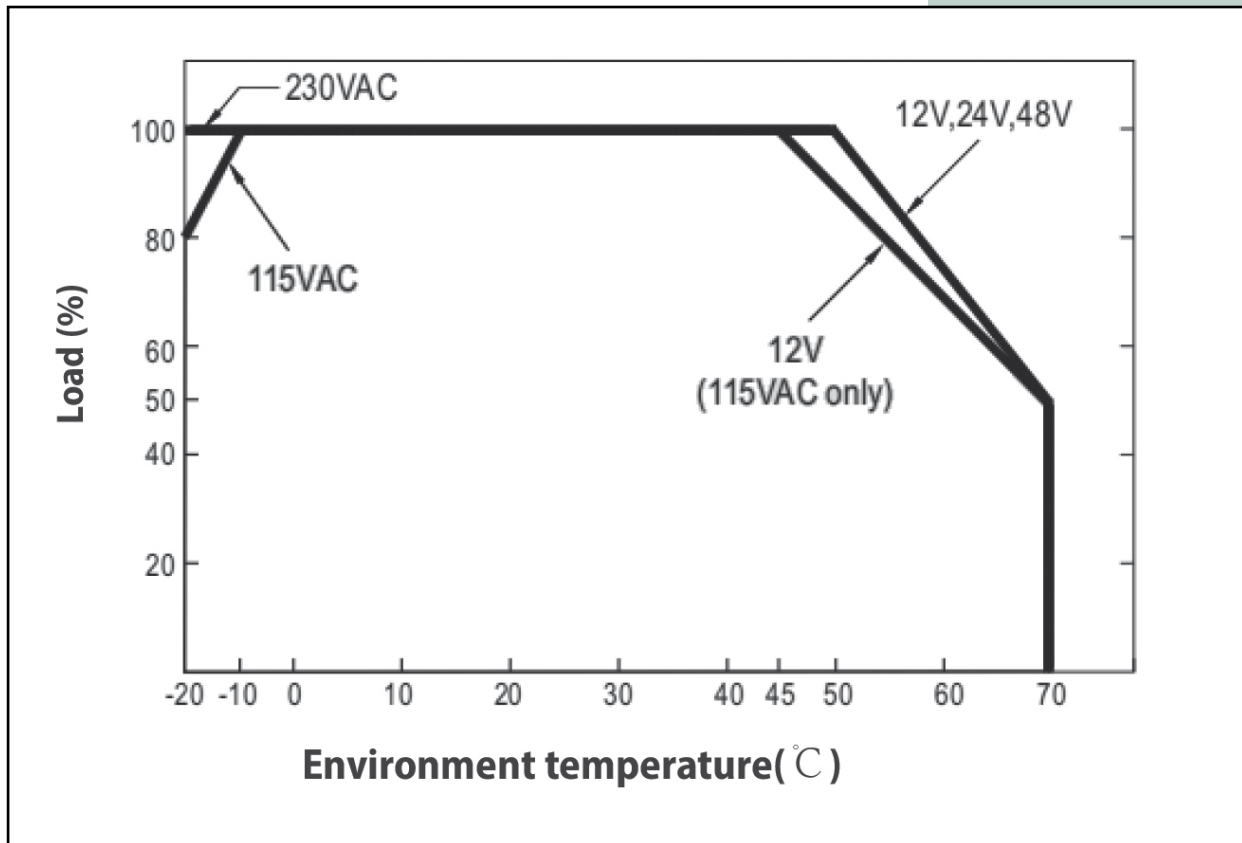
Output

No.	Description
1,2	DC OUTPUT -V
3,4	DC OUTPUT+V

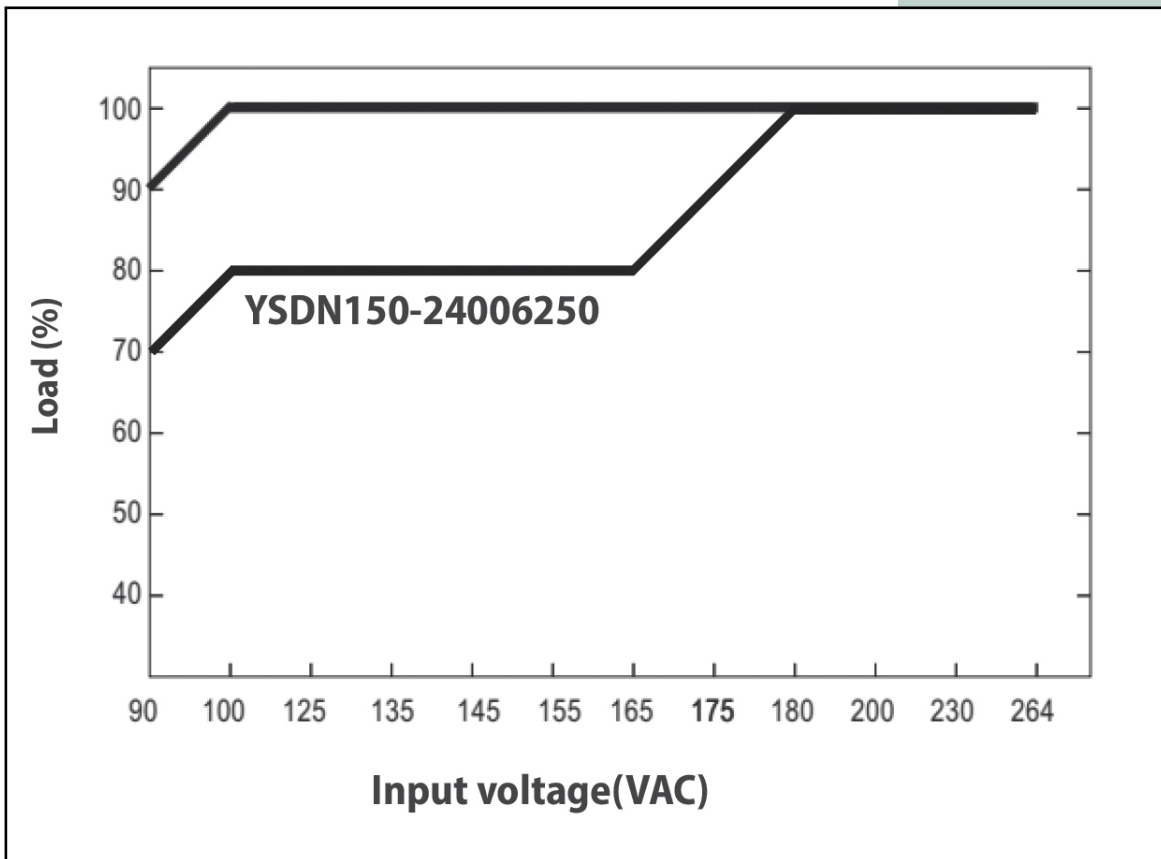
**C Block Diagram**



**D Deduction curve and temperature**



**E Minus Output and Input voltage curves**



**F How to Order**

**LP-PSU150DIN 150W Power supply full range AC input from 90V AC to 264V AC for DIN Rail**