

LP-OSFPFXYYDWAX Transceiver SFP Bi-Directional Singlemode (SM) 9/125µm, LC simplex, DDM, 100BASE-FX, WDM for up to 10, 20, 40, 60, 80, 100 or 120 km

LPOSFPFXYYDWAX_PFD_ENB01W

Features

- Up to 155Mbps data-rate.
- Compliant with SFP MSA and SFF-8472 with simplex LC receptacle.
- Digital Diagnostic Monitoring: Internal Calibration or External Calibration.
- Compatible with RoHS.
- +3.3V single power supply.
- Operating case temperature: Standard: 0 to +70°C.

Applications

- SDH STM-1, S-1.1,L-1.1, L-1.2
- SONET OC-3 IR1, LR1, LR2
- Other optical links.



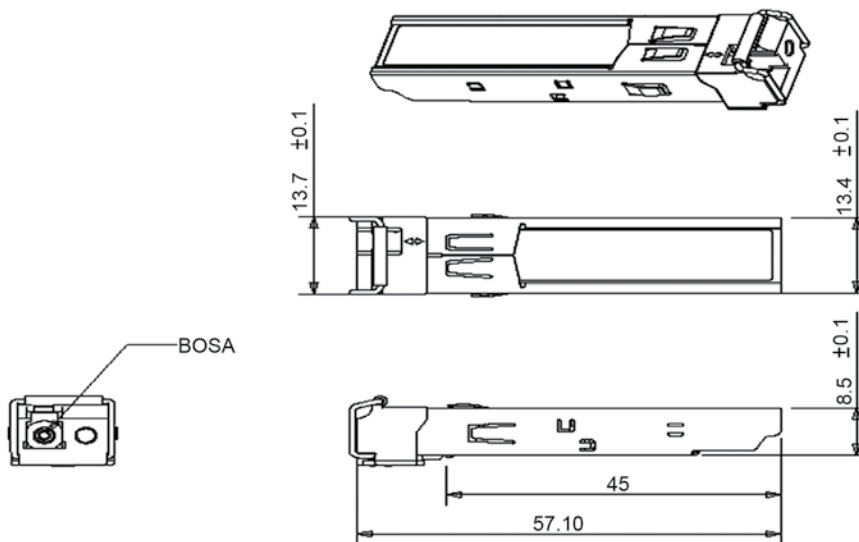
LP-OSFPFXYYDWAX Transceiver SFP Bi-Directional Singlemode (SM) 9/125µm, LC simplex, DDM, 100BASE-FX, WDM for up to 10, 20, 40, 60, 80, 100 or 120 km

The SFP-BIDI transceivers by LanPro are high performance, cost effective modules supporting data-rate of 155Mbps and 10, 20, 40, 60, 80, 100 or 120 km transmission distance with SMF.

The transceiver consists of three sections: a FP laser transmitter, a PIN photodiode integrated with a trans-impedance preamplifier (TIA) and MCU control unit. All modules satisfy class I laser safety requirements.

The transceivers are compatible with SFP Multi-Source Agreement (MSA) and SFF-8472.

A Mechanical Dimensions



B Specifications

Absolute Maximum Ratings

Parameter	Symbol	Min	Max	Unit
Supply Voltage	V _{cc}	-0.5	4.5	V
Storage Temperature	T _s	-40	+85	°C
Operating Humidity	-	5	85	%

Recommended Operating Conditions

Parameter	Symbol	Min	Typical	Max	Unit
Operating Case Temperature	Standard T _c	0	-	+70	°C
Power Supply Voltage	V _{cc}	3.13	3.3	3.47	V
Power Supply Current	I _{cc}	-	-	300	mA
Data Rate	-	-	155	-	Mbps

Optical and Electrical Characteristics

Parameter	Symbol	Min	Typical	Max	Unit	Notes
Transmitter						
Centre Wavelength (1310nm)	λ _c	1260	1310	1360	nm	-
Centre Wavelength (1550nm)		1550	1550	1600		
Spectral Width (RMS)	Δλ	-	-	4	nm	-
Average Output Power	P _{out}	-14	-	-8	dBm	The optical power is launched into SMF
Extinction Ratio	ER	9	-	-	dB	-
Data Input Swing Differential	V _{IN}	400	-	1800	mV	PECL input, internally AC-coupled and terminated.
Input Differential Impedance	Z _{IN}	90	100	110	Ω	-
TX Disable	Disable	2.0	-	V _{cc}	V	-
	Enable	0	-	0.8	V	-
TX Fault	Fault	2.0	-	V _{cc}	V	-
	Normal	0	-	0.8	V	-

Parameter	Symbol	Min	Typical	Max	Unit	Notes
Receiver						
Centre Wavelength (1310nm)	λ _c	1480	-	1580	nm	-
Centre Wavelength (1550nm)		1260	-	1360		
Receiver Sensitivity	-	-	-	-32	dBm	Measured with a PRBS 2 ²³ -1 test pattern @155Mbps, BER ≤ 1 × 10 ⁻¹⁰ .
Receiver Overload	-	-3	-	-	dBm	
LOS De-Assert	LOS _D	-	-	-32	dBm	-
LOS Assert	LOS _A	-40	-	-	dBm	-
LOS Hysteresis	-	1	-	4	dB	-
Data Output Swing Differential	V _{out}	400	-	1800	mV	Internally AC-coupled.
LOS	High	2.0	-	V _{cc}	V	-
	Low	-	-	0.8	V	-

C **Cómo Ordenar**

LP-OSFPFX03DWA	Transceiver SFP Singlemode (SM) 9/125µm, LC simplex, DDM, 100BASE-FX, 1310nm/1550nm, WDM, up to 10 km, sold in pairs.
LP-OSFPFX03DWA1	Transceiver SFP Singlemode (SM) 9/125µm, LC simplex, DDM, 100BASE-FX, Tx 1550nm /Rx 1310nm, WDM, up to 10 km Single side.
LP-OSFPFX03DWA2	Transceiver SFP Singlemode (SM) 9/125µm, LC simplex, DDM, 100BASE-FX, Tx 1310nm /Rx 1550nm, WDM, up to 10 km Single side.
LP-OSFPFX04DWA	Transceiver SFP Singlemode (SM) 9/125µm, LC simplex, DDM, 100BASE-FX, 1310nm/1550nm, WDM, up to 20 km, sold in pairs.
LP-OSFPFX04DWA1	Transceiver SFP Singlemode (SM) 9/125µm, LC simplex, DDM, 100BASE-FX, Tx 1550nm /Rx 1310nm, WDM, up to 20 km Single side
LP-OSFPFX04DWA2	Transceiver SFP Singlemode (SM) 9/125µm, LC simplex, DDM, 100BASE-FX, Tx 1310nm /Rx 1550nm, WDM, up to 20 km Single side.
LP-OSFPFX02DWA	Transceiver SFP Singlemode (SM) 9/125µm, LC simplex, DDM, 100BASE-FX, 1310nm/1550nm, WDM, up to 40 km, sold in pairs.
LP-OSFPFX02DWA1	Transceiver SFP Singlemode (SM) 9/125µm, LC simplex, DDM, 100BASE-FX, Tx 1550nm /Rx 1310nm, WDM, up to 40 km Single side
LP-OSFPFX02DWA2	Transceiver SFP Singlemode (SM) 9/125µm, LC simplex, DDM, 100BASE-FX, Tx 1310nm /Rx 1550nm, WDM, up to 40 km Single side.
LP-OSFPFX05DWA	Transceiver SFP Singlemode (SM) 9/125µm, LC simplex, DDM, 100BASE-FX, 1310nm/1550nm, WDM, up to 60 km, sold in pairs.
LP-OSFPFX05DWA1	Transceiver SFP Singlemode (SM) 9/125µm, LC simplex, DDM, 100BASE-FX, Tx 1550nm /Rx 1310nm, WDM, up to 60 km Single side.
LP-OSFPFX05DWA2	Transceiver SFP Singlemode (SM) 9/125µm, LC simplex, DDM, 100BASE-FX, Tx 1310nm /Rx 1550nm, WDM, up to 60 km Single side.
LP-OSFPFX06DWA	Transceiver SFP Singlemode (SM) 9/125µm, LC simplex, DDM, 100BASE-FX, 1310nm/1550nm, WDM, up to 80 km, sold in pairs.
LP-OSFPFX06DWA1	Transceiver SFP Singlemode (SM) 9/125µm, LC simplex, DDM, 100BASE-FX, Tx 1550nm /Rx 1310nm, WDM, up to 80 km Single side.
LP-OSFPFX06DWA2	Transceiver SFP Singlemode (SM) 9/125µm, LC simplex, DDM, 100BASE-FX, Tx 1310nm /Rx 1550nm, WDM, up to 80 km Single side.
LP-OSFPFX07DWA	Transceiver SFP Singlemode (SM) 9/125µm, LC simplex, DDM, 100BASE-FX, 1310nm/1550nm, WDM, up to 100 km, sold in pairs.
LP-OSFPFX07DWA1	Transceiver SFP Singlemode (SM) 9/125µm, LC simplex, DDM, 100BASE-FX, Tx 1550nm /Rx 1310nm, WDM, up to 100 km Single side.
LP-OSFPFX07DWA2	Transceiver SFP Singlemode (SM) 9/125µm, LC simplex, DDM, 100BASE-FX, Tx 1310nm /Rx 1550nm, WDM, up to 100 km Single side.
LP-OSFPFX08DWA	Transceiver SFP Singlemode (SM) 9/125µm, LC simplex, DDM, 100BASE-FX, 1310nm/1550nm, WDM, up to 120 km, sold in pairs.
LP-OSFPFX08DWA1	Transceiver SFP Singlemode (SM) 9/125µm, LC simplex, DDM, 100BASE-FX, Tx 1550nm /Rx 1310nm, WDM, up to 120 km Single side.
LP-OSFPFX08DWA2	Transceiver SFP Singlemode (SM) 9/125µm, LC simplex, DDM, 100BASE-FX, Tx 1310nm /Rx 1550nm, WDM, up to 120 km Single side.

LanPro is continuously improving its products and reserves the right to change specifications and availability without prior notice.