

## LP-OSFPFX01D Transceiver SFP Multimode (MM) 62.5/125 $\mu$ m, DDM, 100BASE-FX, 1310nm, up to 2 km Single side.

LPOSFPFX01D\_SS\_ENB01W

### Features

- Up to 155Mbps Data Links.
- Hot-Pluggable.
- 1310nm FP laser transmitter.
- Duplex LC connector.
- RoHS compliant and Lead Free.
- Up to 2 km on 50/125 $\mu$ m MM Fiber.
- Single +3.3V Power Supply.
- Low power dissipation <600mW typically.
- Industrial /Extended/ Commercial operating temperature range: -40°C to 85°C/-5°C to 85°C/-0°C to 70°C Version available.

### Applications

- SONET OC-3/SDH STM-1.
- Fast Ethernet.
- Other Optical Links.



## LP-OSFPFX01D Transceiver SFP Multimode (MM) 62.5/125 $\mu$ m, DDM, 100BASE-FX, 1310nm, up to 2 km Single side.

The LP-OSFPFX01D transceiver is a high performance, cost effective module which have a Duplex LC optics interface. Standard AC coupled CML for high speed signal and LVTTTL control and monitor signals.

The receiver section uses a PIN receiver and the transmitter uses 1310 nm FP laser, up to 13dB link budge ensure this module SONET OC-3/SDH STM-1 2Km application.



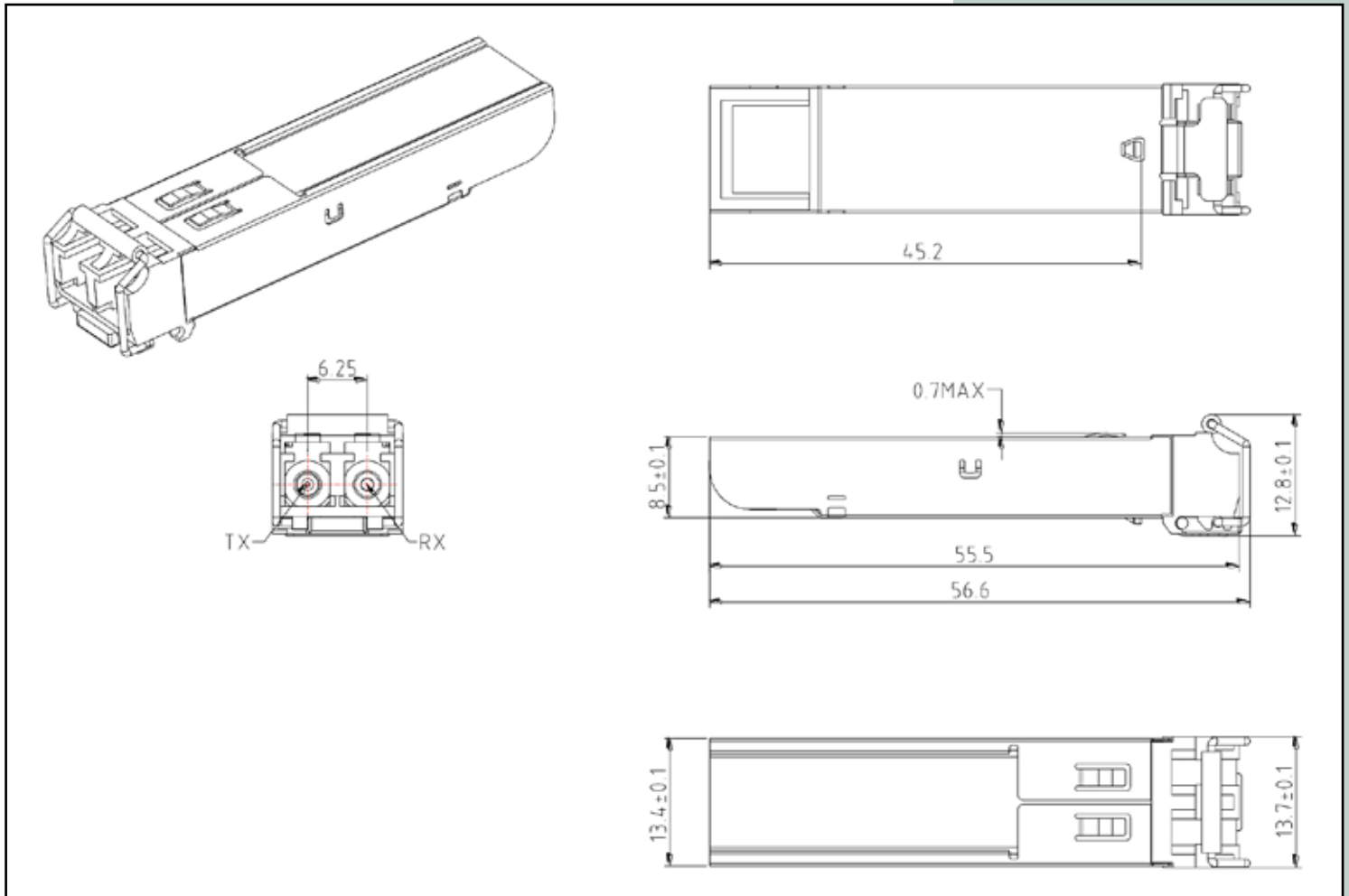
**A Recommended Operating Conditions:**

Parameter		Symbol	Min	Typical	Max	Unit
Case Operating Temperature	Industrial	T <sub>c</sub>				
	Extended					
	Commercial		0		+70	°C
Supply Voltage		V <sub>ccT, R</sub>	3.0		3.6	V
Power Supply Rejection			100		300	mV <sub>p-p</sub>

**B Electrical Characteristics:**

Parameter	Symbol	Min	Typical	Max	Unit	Notes
Supply Voltage	V <sub>cc</sub>	3.0	3.30	3.60	V	
Supply Current	I <sub>cc</sub>		160	280	mA	
Inrush Current	I <sub>surge</sub>			I <sub>cc</sub> +30	mA	
Maximum Power	P <sub>max</sub>			1.0	W	
<b>Transmitter Section:</b>						
Input differential impedance	R <sub>in</sub>	90	100	110	Ω	AC coupled
Single ended data input swing	V <sub>in pp</sub>	200		1200	mV <sub>p-p</sub>	
Transmit Disable Voltage	V <sub>D</sub>	V <sub>cc</sub> - 1.3		V <sub>cc</sub>	V	Or open circuit
Transmit Enable Voltage	V <sub>EN</sub>	V <sub>ee</sub>		V <sub>ee</sub> + 0.8	V	
Transmit Disable Assert Time	T <sub>dessert</sub>			10	us	
<b>Receiver Section:</b>						
Single ended data output swing	V <sub>out,pp</sub>	300		1000	mv	Into 100 ohm differential termination
Data output rise time	t <sub>r</sub>			150	ps	20 - 80 %
Data output fall time	t <sub>f</sub>			150	ps	20 - 80 %
LOS Fault	V <sub>losfault</sub>	V <sub>cc</sub> - 0.5		V <sub>cc,host</sub>	V	LOS is LVTTTL. Logic 0 indicates normal operation; logic 1 indicates no signal detected
LOS Normal	V <sub>los norm</sub>	V <sub>ee</sub>		V <sub>ee</sub> +0.5	V	
Power Supply Rejection	PSR	100			mV <sub>pp</sub>	All transceiver specifications are compliant with a power supply sinusoidal modulation of 20 Hz to 1.5MHz

**C Mechanical Dimensions:**



**D How to order:**

**LP-OSFPFX01D** Transceiver SFP Multimode (MM) 62.5/125µm, DDM, 100BASE-FX, 1310nm, up to 2 km Single side.