

## LP-OSFPER01DWD1 LC duplex 10GBASE-ER SM Singlemode Fiber SFP+ Bi-Directional WDM 1270/1330nm MSA Transceiver for up to 40km with DDM.

LPOSFPER01DWD1\_SS\_ENB01W

### Features

- Supports 9.95Gb/s to 10.3Gb/s data rates.
- Simplex LC Connector Bi-Directional SFP+ Optical Transceiver.
- Single 3.3V Supply.
- Up to 40km on 9/125um SMF.
- 1270nm DFB Laser transmitter, 1330nm receiver.
- SFP+ MSA SFF-8431 Compliant.
- Digital Diagnostic SFF-8472 Compliant.
- RoHS compliant and Lead Free.
- Operating case temperature: Standard: 0 ~ 70 °C (Industrial Standard -40 ~ 85 °C).

### Applications

- 10GBASE-ER at 10.3125Gbps.
- 10GBASE-EW at 9.953Gbps.
- Other Optical Links.



### LP-OSFPER01DWD1 LC duplex 10GBASE-ER SM Singlemode Fiber SFP+ Bi-Directional WDM 1270/1330nm MSA Transceiver for up to 40km with DDM.

The **LP-OSFPER01DWD1** singlemode transceiver is small form factor pluggable module for duplex optical data communications such as 10GBASE-ER/EW defined by IEEE 802.3ae. It is with the SFP+ 20-pin connector to allow hot plug capability.

The **LP-OSFPER01DWD1** module is designed for singlemode fiber and operates at a nominal wavelength of 1270nm; The transmitter section uses a multiple quantum well DFB, which is class 1 laser compliant according to International Safety Standard IEC-60825. The receiver section uses an integrated InGaAs detector preamplifier (IDP) mounted in an optical header and a limiting post-amplifier IC.

## A Absolute Maximum Ratings

These values represent the damage threshold of the module. Stress in excess of any of the individual Absolute Maximum Ratings can cause immediate catastrophic damage to the module even if all other parameters are within Recommended Operating Conditions.

Parameters	Symbol	Min.	Max.	Unit
Supply Voltage	$V_{CC}$	-0.5	+3.6	V
Storage Temperature	$T_C$	-40	+85	°C
Operating Case Temperature	$T_C$	0	+70	°C
Relative Humidity	RH	0	85	%

## B Recommended Operating Conditions

Parameters	Symbol	Min.	Max.	Unit	Unit
Supply Voltage	$V_{CC}$	3.0	3.3	3.6	V
Supply Current	$I_{CC}$		200	300	mA
Operating Case Temperature	$T_C$	0	25	70	°C
Module Power Dissipation	$P_m$	-	0.7	1.1	W

### Notes:

1. Supply current is shared between VCCTX and VCCR<sub>X</sub>.
2. In-rush is defined as current level above steady state current requirements.

**C Electrical characteristics ( $T_{OP} = 0$  a  $70^{\circ}\text{C}$ ;  $V_{CC} = 3.0$  a  $3.60$  Volts)**

Parameter	Symbol	Min.	Typical	Max	Unit	Ref.
<b>Supply Voltage</b>	$V_{CC}$	3.00		3.60	V	1
<b>Supply Current</b>	$I_{CC}$		200	300	mA	1
<b>Transmitter</b>						
<b>Input differential impedance</b>	$R_{in}$		100		$\Omega$	2
<b>Single ended data input swing</b>	$V_{in,pp}$	150		1200	mVpp	
<b>Transmit Disable Voltage</b>	VD	2		$V_{CC}$	V	
<b>Transmit Enable Voltage</b>	VEN	Vee		Vee+0.8	V	3
<b>Receiver</b>						
<b>Output differential impedance</b>	$R_{out}$		100		$\Omega$	2
<b>Single ended data output swing</b>	$V_{out,pp}$	300		700	mV	4
<b>LOS Fault</b>	$V_{LOS\ fault}$	2		$V_{CC_{HOST}}$	V	5
<b>LOS Normal</b>	$V_{LOS\ norm}$	Vee		Vee+0.8	V	5

**Notes:**

1. Module power consumption never exceeds 1W.
2. AC coupled.
3. Or open circuit.
4. Into 100-ohm differential termination.
5. LOS is LVTTTL. Logic 0 indicates normal operation; logic 1 indicates no signal detected.

**D** Optical characteristics ( $T_{OP} = 0$  a  $70^{\circ}\text{C}$ ;  $V_{CC} = 3.0$  a  $3.60$  Volts)

(LP-OSFPER01DWD1, 1270 DFB &amp; PIN/TIA)

Parameter	Symbol	Min.	Typical	Max	Unit	Ref.
<b>Transmitter</b>						
Optical Wavelength	$\lambda_C$	1260	1270	1280	nm	
Side Mode Suppress Ratio	SMSR	30			dB	
Spectral Width (-20dB)	$\Delta\lambda$			1	nm	
Average Output Power	$P_{op}$	1		5	dBm	1
Extinction Ratio	ER	3.5			dB	
Eye Mask	Compliant with IEEE 802.3					
Transmitter and Dispersion Penalty	TDP			3.2	dB	
Average Power of OFF Transmitter				-30	dBm	
Relative Intensity Noise	RIN			-128	dB/Hz	
<b>Receiver</b>						
Average Receiver Power	RSENS			-15	dBm	1,2
Receiver Overload	$P_{MAX}$			+0.5	dBm	
Centre Wavelength	$\lambda_C$	1320		1340	nm	
LOS De-Assert	$LOS_D$			-15	dBm	
LOS Assert	$LOS_A$	-30			dBm	
LOS Hysteresis		0.5			dB	

**Notes:**

1. Average Receiver Power (Min) is informative and not the principal indicator of signal strength. A received power below this value cannot be compliant.
2. Measured with a PRBS231-1 test pattern @10.3125Gbps, BER;10-12

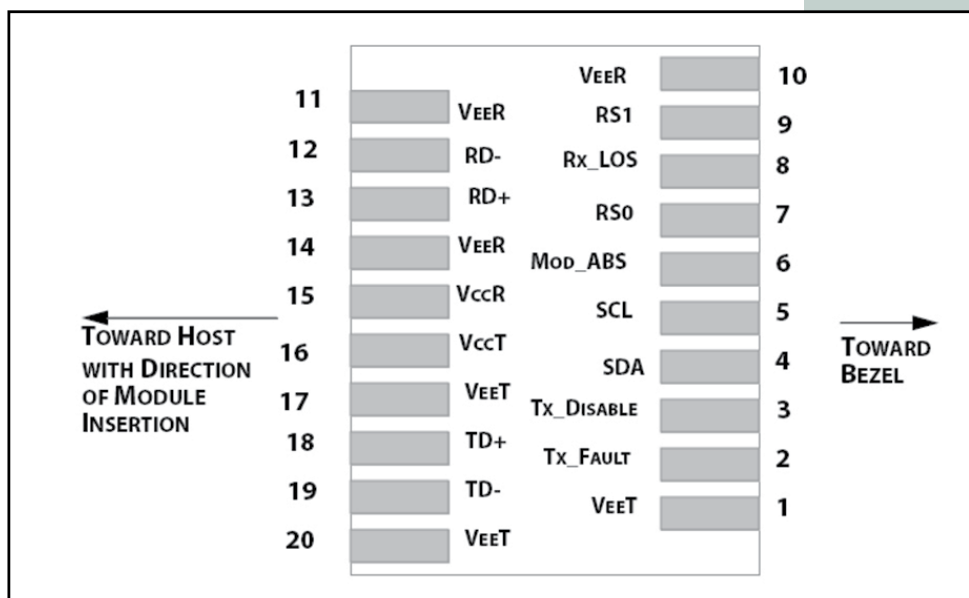
(LP-OSFPER01DWD1, 1330 DFB &amp; PIN/TIA)

Parameter	Symbol	Min.	Typical	Max	Unit	Ref.
<b>Transmisor</b>						
Optical Wavelength	$\lambda C$	1320	1330	1340	nm	
Side Mode Suppress Ratio	SMSR	30			dB	
Spectral Width (-20dB)	$\Delta\lambda$			1	nm	
Average Output Power	Pop	1		5	dBm	1,2
Extinction Ratio	ER	3.5			dB	
Eye Mask	Compliant with IEEE 802.3					
Transmitter and Dispersion Penalty	TDP			3.2	dB	
Average Power of OFF Transmitter				-30	dBm	
Relative Intensity Noise	RIN			-128	dB/Hz	
<b>Receiver</b>						
Average Receiver Power	RSNS			-15	dBm	2,3
Receiver Overload	PMAX			+0.5	dBm	
Centre Wavelength	$\lambda C$	1260		1270	nm	
LOS De-Assert	LOSD			-15	dBm	
LOS Assert	LOSA	-30			dBm	
LOS Hysteresis		0.5			dB	

**Notes:**

1. Output is coupled into a 9/125um SMF.
2. Average Receiver Power (Min) is informative and not the principal indicator of signal strength. A received power below this value cannot be compliant.
3. Measured with a PRBS231-1 test pattern @10.3125Gbps, BER;10-12

**E Pin Descriptions**



**Figure 1. Electrical Pin-out Details**

Pin	Symbol	Name/Description
1	VEET [1]	Transmitter Ground
2	Tx_FAULT [2]	Transmitter Fault
3	Tx_DIS [3]	Transmitter Disable. Laser output disabled on high or open
4	SDA [2]	2-Wire Serial Interface Data Line
5	SCL [2]	2-Wire Serial Interface Clock Line
6	MOD_ABS [4]	Module Absent. Grounded within the module
7	RS0 [5]	RS0 for Rate Select: Open or Low = Module supports ≤4.25Gbps High = Module supports 9.95 Gb/s to 10.3125 Gb/s
8	RX_LOS [2]	Loss of Signal indication. Logic 0 indicates normal operation
9	RS1 [5]	No connection required
10	VEER [1]	Receiver Ground
11	VEER [1]	Receiver Ground
12	RD-	Receiver Inverted DATA out. AC Coupled
13	RD+	Receiver DATA out. AC Coupled
14	VEER [1]	Receiver Ground
15	VCCR	Receiver Power Supply
16	VCCT	Transmitter Power Supply
17	VEET [1]	Transmitter Ground
18	TD+	Transmitter DATA in. AC Coupled
19	TD-	Transmitter Inverted DATA in. AC Coupled
20	VEET [1]	Transmitter Ground

**Notes:**

1. Module circuit ground is isolated from module chassis ground within the module.
2. Should be pulled up with 4.7k – 10k ohms on host board to a voltage between 3.15V and 3.6V.
3. Tx\_Disable is an input contact with a 4.7 kΩ to 10 kΩ pullup to VccT inside the module.
4. Mod\_ABS is connected to VeeT or VeeR in the SFP+ module. The host may pull this contact up to Vcc\_Host with a resistor in the range 4.7 kΩ to 10 kΩ. Mod\_ABS is asserted "High" when the SFP+ module is physically absent from a host slot
5. RS0 and RS1 are module inputs and are pulled low to VeeT with > 30 kΩ resistors in the module.

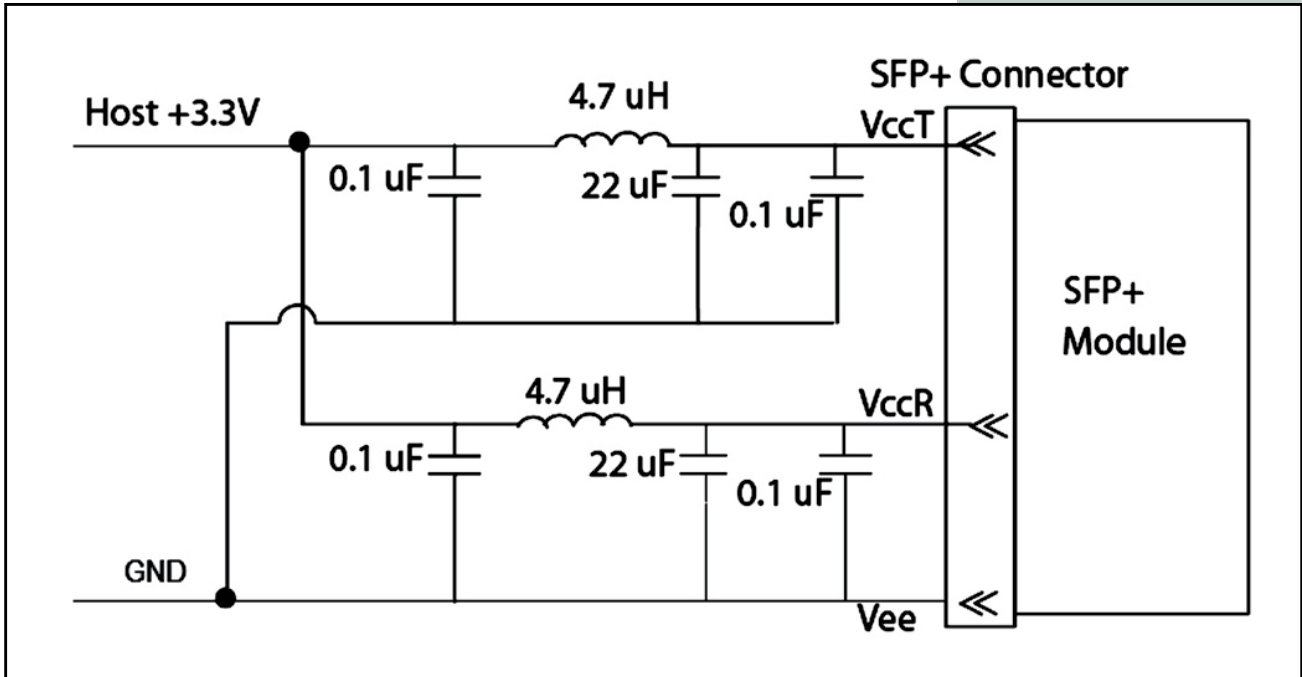


Figure 2. Host Board Power Supply Filters Circuit

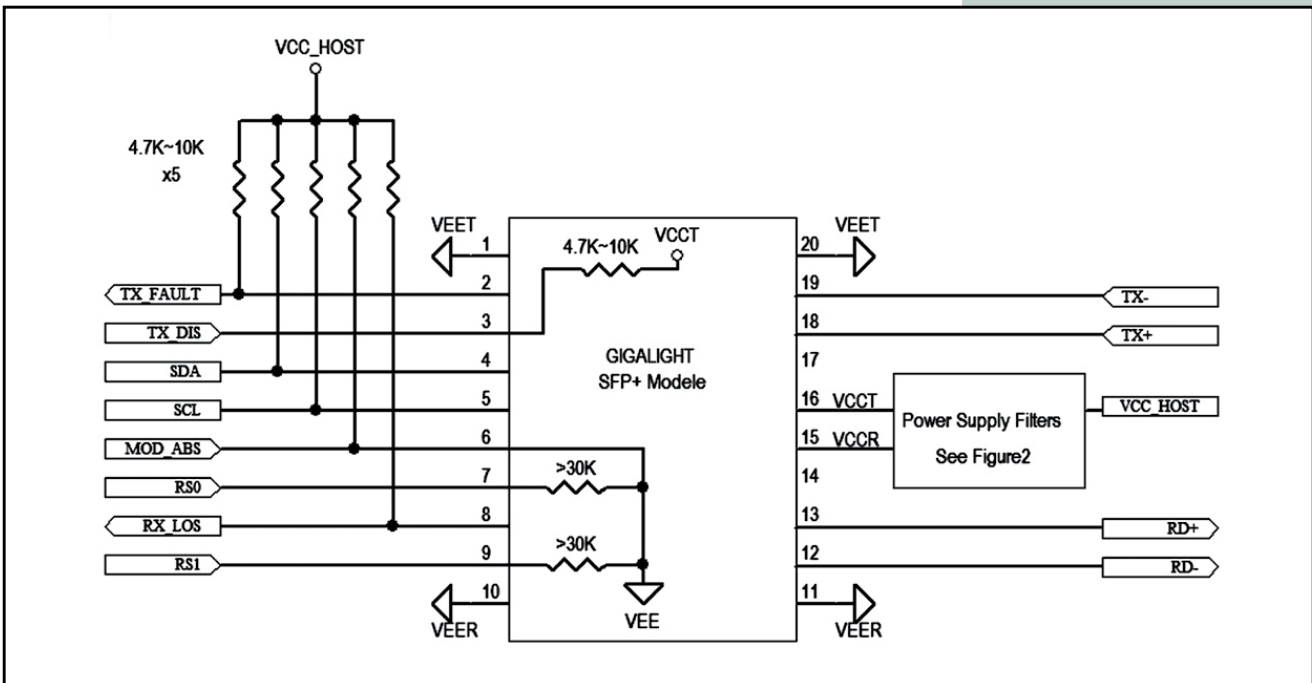
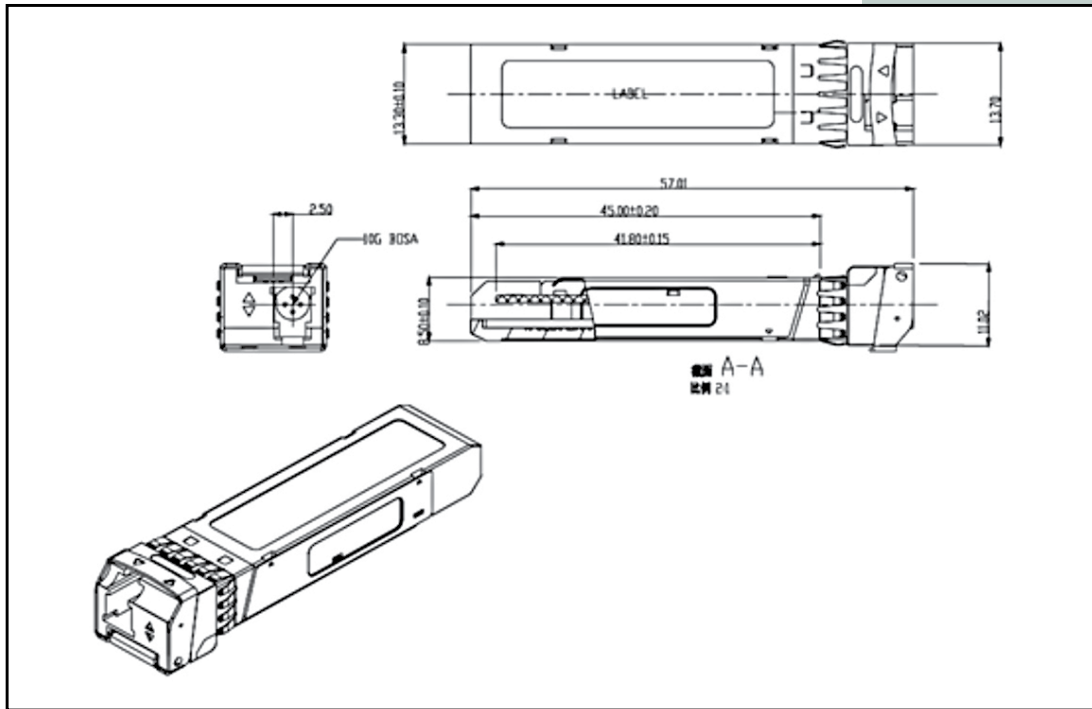


Figure 3. Host-Module Interface



**Figure 4. Key Mechanical Dimensions**

**F How to Order**

**LP-OSFPER01DWD1 LC duplex 10GBASE-ER SM Singlemode Fiber SFP+ Bi-Directional WDM 1270/1330nm MSA Transceiver for up to 40km with DDM.**